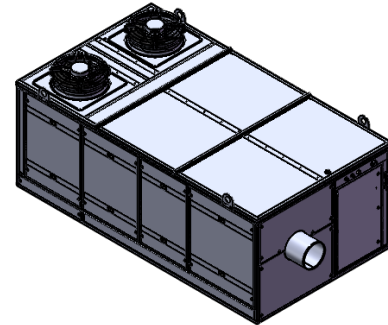


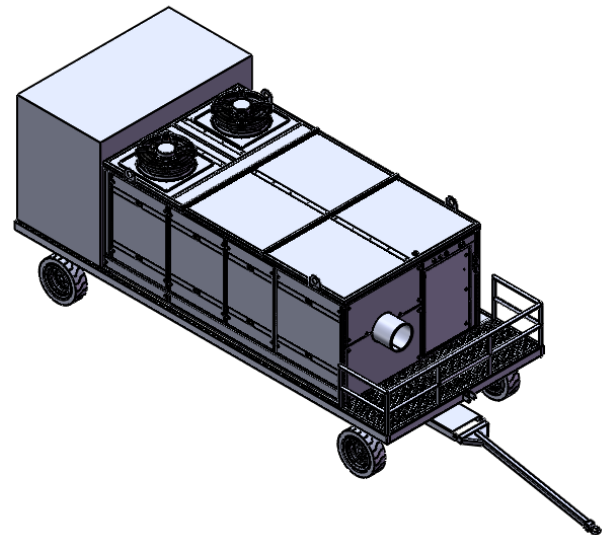
## TruTemp™ 500 Pre-Conditioned Air Unit Model PCA1800DXCM

The Northern Air Systems TruTemp™ 500 Pre-Conditioned Air Unit is built for high performance, reliability and simplicity. As a single refrigeration system utilizing a screw compressor and increased condenser capacity, eliminates the need to balance two systems that overlap. This type of arrangement is more forgiving in extreme ambient temperatures. The unique, Full-Range Capacity Control (FRCC) of the TruTemp™ 500 ACU makes it a precise, variable capacity system that provides the broadest operating ambient temperature band for cooler air, higher reliability and longer component life. The logic controller “Command Center” coordinates control activities throughout the full operating range.



### Features

- Full Range Capacity Control
- Smart Start
- Automatically Controlled Air Flow (ACAF)
- Sub-Cooling Vapor Injection Economizer (SCVIE)
- Hot-Gas Bypass (HGB)
- Fuel Cooling
- Slip Stream Condensers
- Quiet Operation
- External Accessible Controls
- (2) 50 Ft. Layflat Hoses with Scuff Guard
- Hose Retrieval Basket
- Retractable Hose Retrieval System
- Onboard Diagnostic
- Engine Management System



### Automatic Control System

- Compressor Oil Level
- Refrigeration System Pressure
- Compressor Motor Temperature
- High Discharge Gas Temperature
- Air Flow Monitoring
- Crank Time Limit
- Crank Attempt Limit
- Low Oil Pressure Shutdown
- High Water Temperature Shutdown
- Overspeed/Underspeed Shutdown

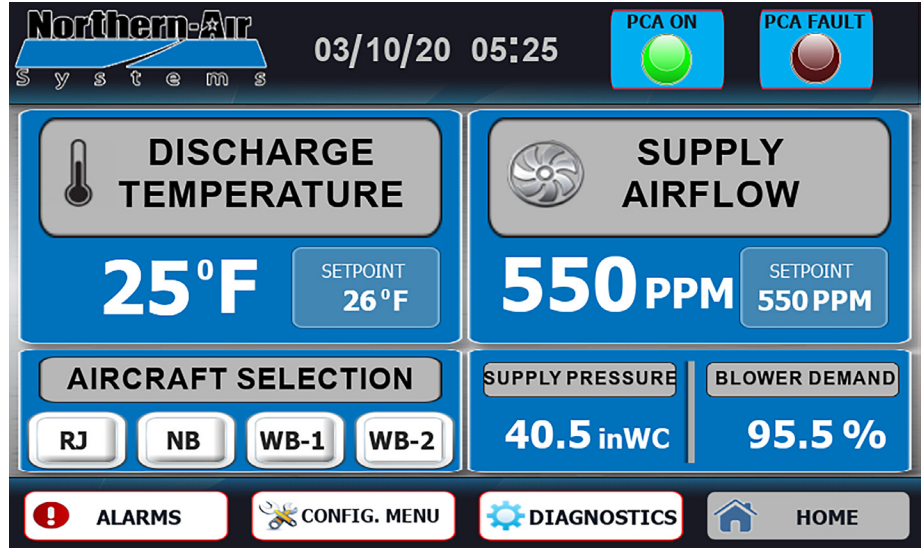
## Unit Specifications

Refrigerant: R-134A  
Air Delivery: 550 ppm  
ESP (inches w.c.): 40  
Discharge Temperature:  
25°F-35°F @ 95°F Ambient for Cooling  
100°F-120°F @ 95°F Ambient for Heating  
Heat: Options up to 160 kW  
Duct: 2@14 in.  
Compressor:  
Make: Carlyle\*  
Model: Paragon  
Horsepower: 150 hp  
Displacement: 356 cFm  
Generator:  
Rating (continuous): 275 kW  
Temperature Rise: 105°C  
Insulation: Class H  
Voltage Regulator: Full-Wave/Digital  
Engine:  
Make: Deutz  
Model: BF6M1015C  
Horsepower (kW): 385 hp (287)\*\*  
Condenser:  
Fan (Horsepower): 2 @ 20 hp each  
Airflow (CFM): 90,000  
Rejection @ 50°C: 1,576,000 BTU  
Blower Horsepower: 75 hp  
Controls: Logic Controller

\* Part of Carrier/UTC Group

\*\* Net@ Flywheel

## Instrument Panel



The "Command Center" Instrument Panel is designed for easy operator use.

## Standard Instrumentation

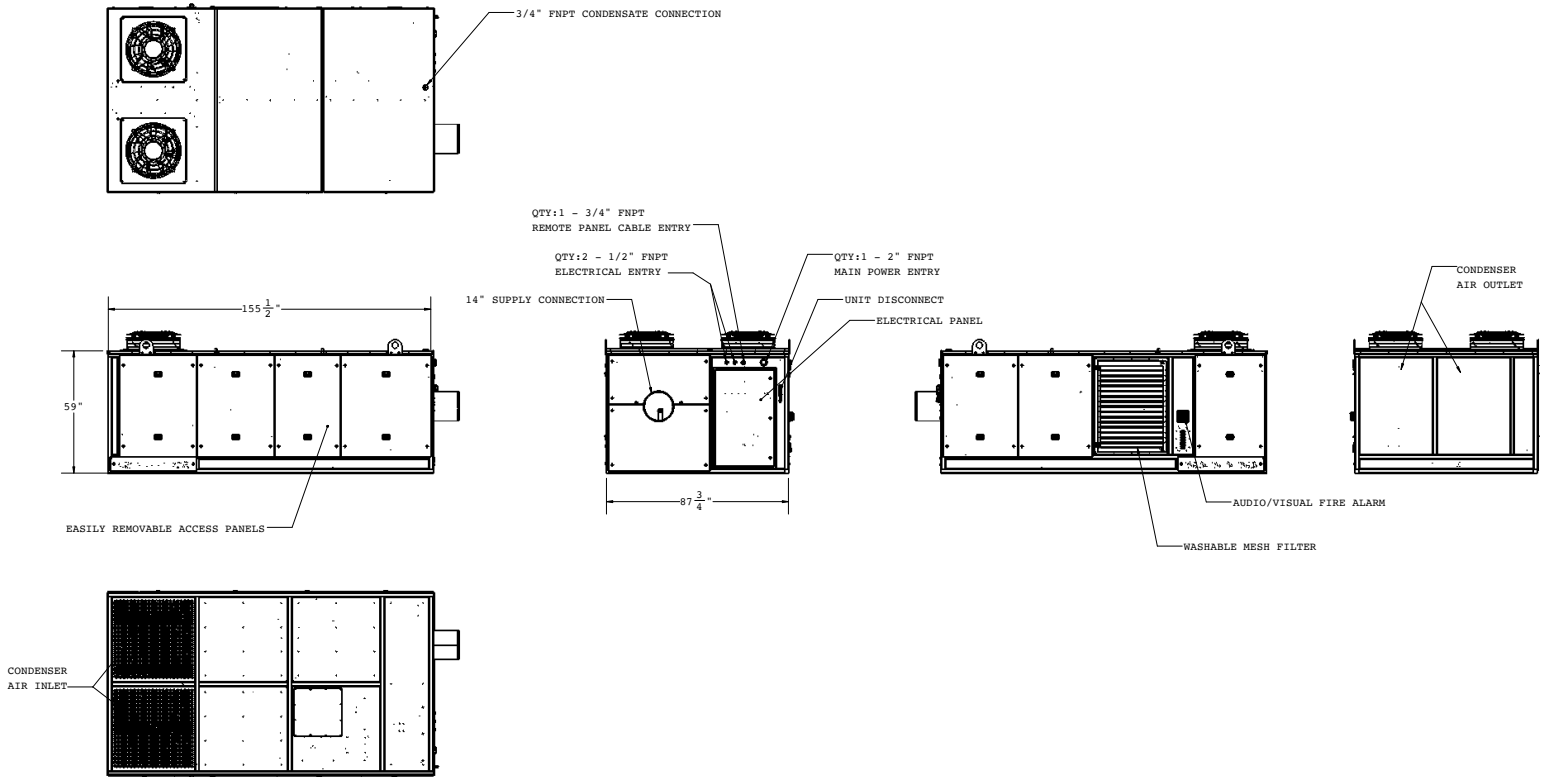
- Tachometer
- Runtime
- Voltmeter
- Oil Pressure
- Water Temperature
- Fuel Level Indication and Alarm
- Conditioned Air Temperature
- Emergency Stop Switch

# TruTemp™ 500 Pre-Conditioned Air Unit

Model PCA1800DXCM



## Wall-Mount Unit

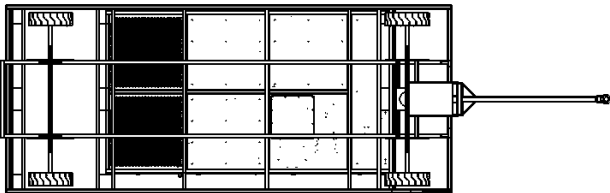
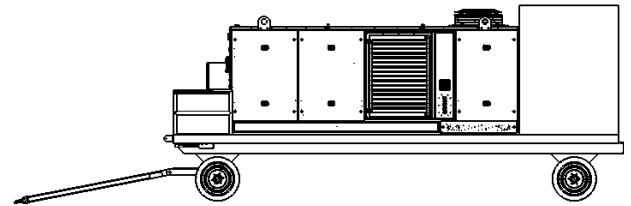
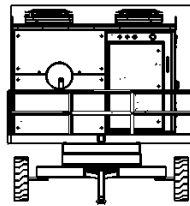
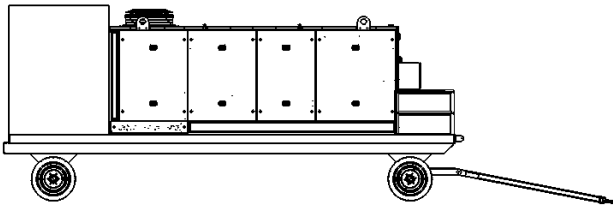
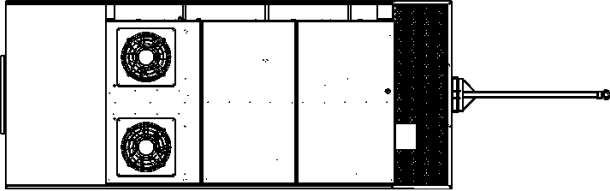


# TruTemp™ 500 Pre-Conditioned Air Unit

Model PCA1800DXCM



## Mobile Unit



## Additional Terms

Two (2) year parts warranty 36 Months after shipping or 24 Months after startup, whichever occurs first.

Specifications are subject to change.

Model shown may include optional features.

TruTemp™ is a trademark of Northern Air Systems, Inc.

### Northern Air Systems

[www.northernairsystems.com](http://www.northernairsystems.com)

Sales: +1 585-594-5050

Service/Support/Parts: (888) 723-9230

Email: [info@northernairsystems.com](mailto:info@northernairsystems.com)

### Rochester, NY

3605 Buffalo Rd

Rochester, NY 14624

+1 585-594-5050

ISO 9001 Certified

### Baton Rouge, LA

10421 Mammoth Ave

Baton Rouge, LA 70814

+1 225-771-8154

ISO 9001 Certified