

ABOUT US

Since 1998, Northern-Air Systems has been a leading provider of specialized cooling systems.

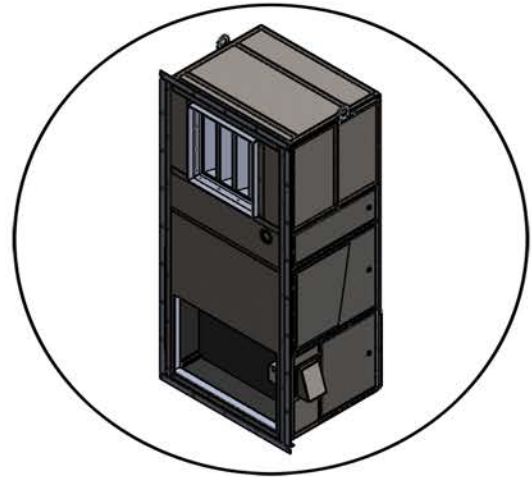
With thousands of systems in operation, we have the lowest downtime on the market. Northern Air Systems has been the trusted name for quality and dependability worldwide.



www.northernairsystems.com
 Phone: (585) 594-5050
 Service/Support/Parts: (888) 723-9230

T048WMBDA1SDB01

PRODUCT DATA SHEET



System Description

- Single Zone Capacity: 48,000 BTU/Hour Total cooling capacity at 95°F ambient
- Condenser Section designed For/ In Accordance with: General Purpose Use
- Evaporator Section designed For/ In Accordance with: General Purpose Use
- Electric Heat Capacity: 1 Ok W
- Heater Control: Standard
- Flow: Standard
- Refrigerant: R-134A EPA Compliant
- Circuits: Single
- Compressor: Copeland Scroll Compressor, Single Stage of Cooling, includes Hot Gas Bypass
- Electrical Panel: Integrally Mounted Electrical Control Panel
- Coil Design: Copper Tube/ Aluminum Fin Coils - No Coatings
- Condenser Fan: High quality German-designed Variable Speed Condenser Fan
- Evaporator Fan: High quality German-designed Centrifugal evaporator blower
- Construction: Galvanized Sheet Metal
- Finish: Sierra Tan (-26) Powdec Coat
- Cooling Operation: Low / High Ambient -30°F to 120° F
- Alarms: Dry contacts are provided for - Unit Failure; High Temp & Alarm
- Customer Communication: MODBUS MS/TP
- Remote Display: 20EPGDI
- Hinged Access Doors with tool-access latches
- Stainless steel fasteners
- Disconnect: General Purpose Disconnect
- Option Included: Humidity Sensor for Dehumidification Mode
- Option Included: Filter Plenum to Accommodate MERV-15 Purifil & HEPA Filters

Electrical Data

- 208 VAC, 3PH, 60Hz
- Cooling RLA - 27A
- Heating RLA - 44A
- MCA - 80A | MOP - 90A

Northern Air Systems

3605 Buffalo Rd
 Rochester, NY 14624
 Phone: (585) 594-5050
 General Info: info@northernairtech.com
 ISO 9001 Certified

Northern Air Technology

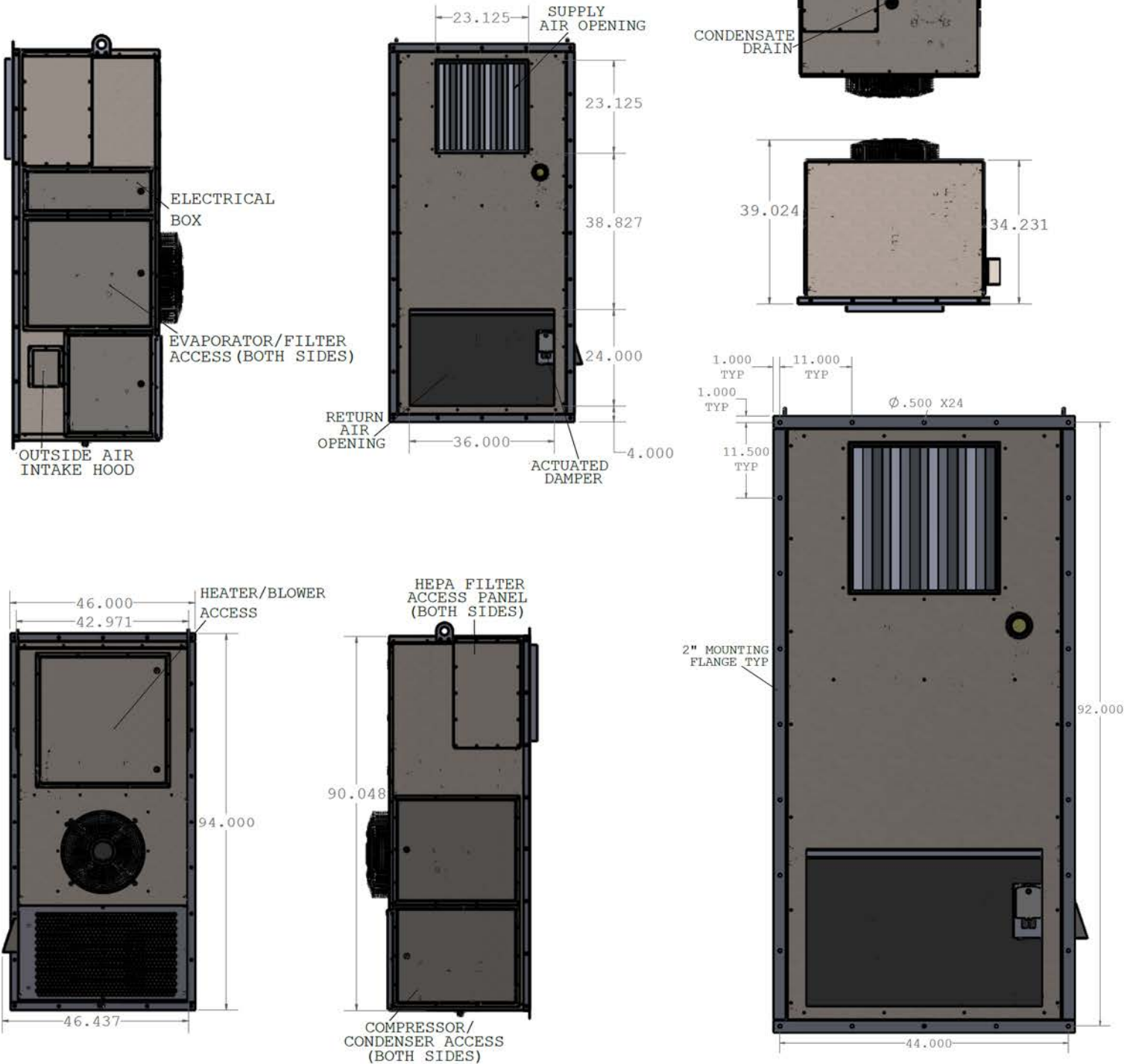
10421 Mammoth Ave
 Baton Rouge, LA 70814
 Phone: (225) 771-8154
 General Info: info@northernairtech.com
 ISO 9001 Certified

Explosion Proof HVAC
 Oil & Gas Offshore
 Onshore & Refineries
 Hazardous Locations
 Military
 Homeland Security

Chemical
 Mobile Command
 Mobile Medical
 Mobile Broadcast
 Aviation

T048WMBDA1SDB01

PRODUCT DATA SHEET



Northern Air Systems

3605 Buffalo Rd
 Rochester, NY 14624
 Phone: (585) 594-5050
 General Info: info@northernairtech.com
 ISO 9001 Certified

Northern Air Technology

10421 Mammoth Ave
 Baton Rouge, LA 70814
 Phone: (225) 771-8154
 General Info: info@northernairtech.com
 ISO 9001 Certified

Explosion Proof HVAC
 Oil & Gas Offshore
 Onshore & Refineries
 Hazardous Locations
 Military
 Homeland Security

Chemical
 Mobile Command
 Mobile Medical
 Mobile Broadcast
 Aviation