

ABOUT US

Since 1998, Northern-Air Systems has been a leading provider of specialized cooling systems.

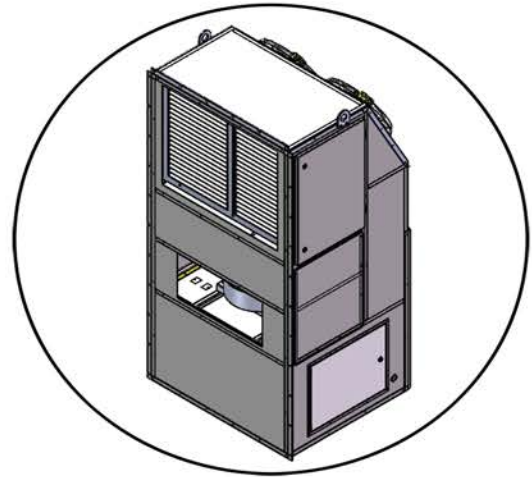
With thousands of systems in operation, we have the lowest downtime on the market. Northern Air Systems has been the trusted name for quality and dependability worldwide.



www.northernairsystems.com
 Phone: (585) 594-5050
 Service/Support/Parts: (888) 723-9230

V150WMAEB1SHB11

PRODUCT DATA SHEET



System Description

- 118,000 BTU per hour sensible cooling capacity at 113°F (45 C) ambient and 85 F return air
- 150,000 BTU per hour total cooling capacity at 95°F (35 C) ambient and 85 F return air
- Reverse Air Flow
- Non-hazardous location
- Aluminum fins/copper tubes for evaporator and condenser coils
- Semi-hermetic compressor that provides three stages of loading.
- Microprocessor Controlled
- Integral Control Panel
- Remote display (mounted by others), shipped wrapped on outside of unit.
- High quality German-designed axial condenser fan & motorized impeller evaporator blower
- R-134A refrigerant
- Low ambient operation to -40° C
- 12 gauge to 18-gauge galvanized sheet metal construction with 1/8-inch structural steel frame
- Standard white polyester powder coat finish
- Hinged access doors with tool-access latches
- Return air filter. 100% recirculated air- no outside air.
- Line reactor
- 10Kw Resistive Heat Capacity
- Ten (10) foot condensate drain hose



Electrical Data

- 480 VAC, 3PH, 60Hz
- Cooling Load - 28A
- Heating Load - 16A
- Dehum Load - 40A
- MCA - 48A | MOP - 50A



Design Specs

- Supply Airflow - 4,000 CFM
- External Static Pressure - 0.8 in WC
- Total Cooling Capacity:
 80°Fdb/67°Fwb Return,
 150,000 BTU/hr

Northern Air Systems

3605 Buffalo Rd
 Rochester, NY 14624
 Phone: (585) 594-5050
 General Info: info@northernairtech.com
 ISO 9001 Certified

Northern Air Technology

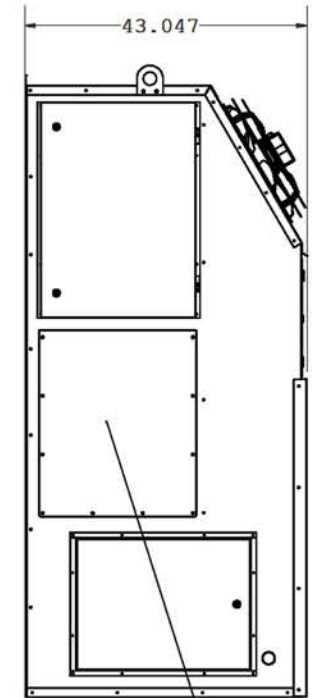
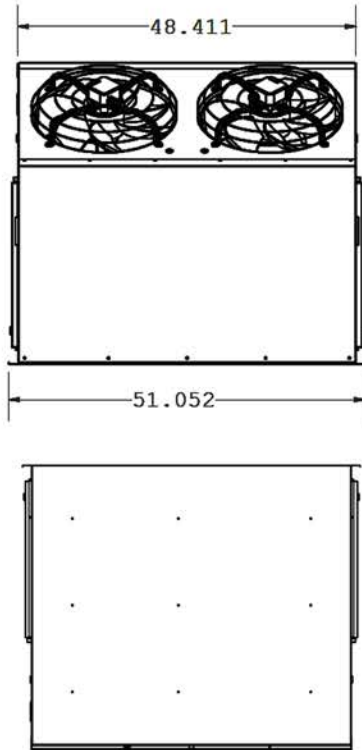
10421 Mammoth Ave
 Baton Rouge, LA 70814
 Phone: (225) 771-8154
 General Info: info@northernairtech.com
 ISO 9001 Certified

Explosion Proof HVAC
 Oil & Gas Offshore
 Onshore & Refineries
 Hazardous Locations
 Military
 Homeland Security

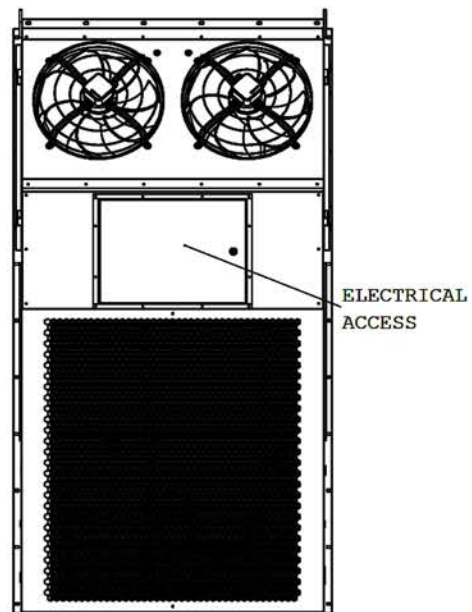
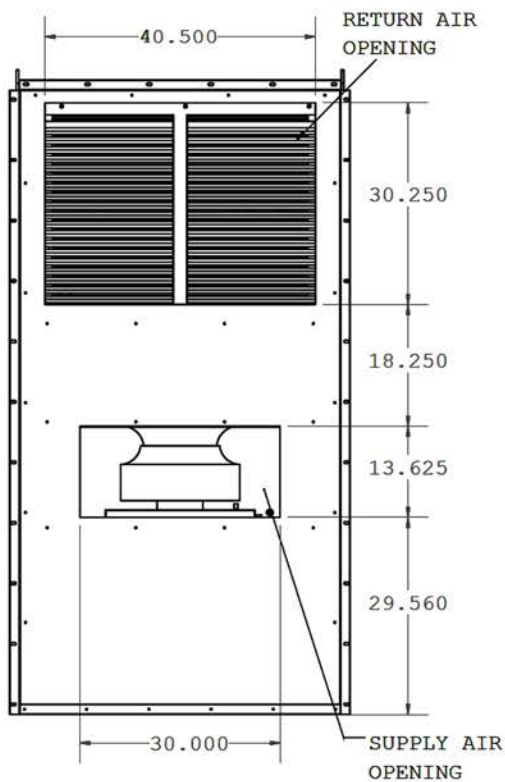
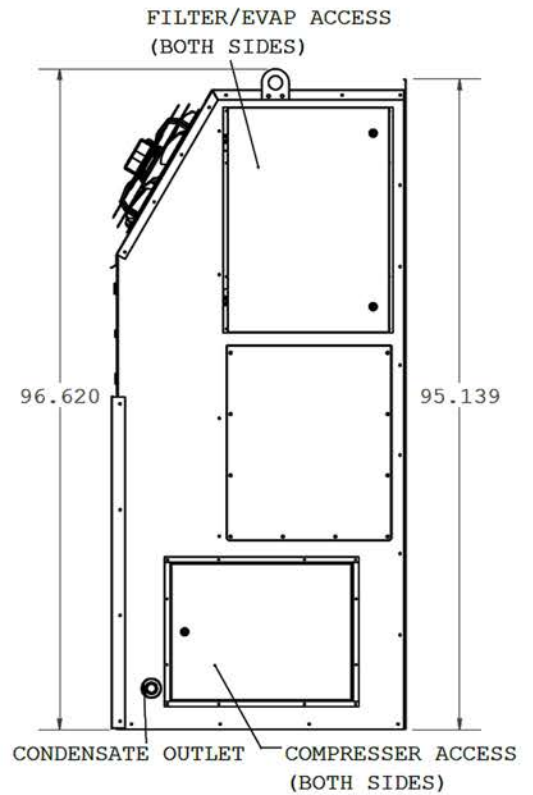
Chemical
 Mobile Command
 Mobile Medical
 Mobile Broadcast
 Aviation

V150WMAEB1SHB11

PRODUCT DATA SHEET



HEATER/EVAP BLOWER ACCESS
(BOTH SIDES)



ELECTRICAL ACCESS

Northern Air Systems

3605 Buffalo Rd
Rochester, NY 14624
Phone: (585) 594-5050
General Info: info@northernairtech.com
ISO 9001 Certified

Northern Air Technology

10421 Mammoth Ave
Baton Rouge, LA 70814
Phone: (225) 771-8154
General Info: info@northernairtech.com
ISO 9001 Certified

Explosion Proof HVAC
Oil & Gas Offshore
Onshore & Refineries
Hazardous Locations
Military
Homeland Security

Chemical
Mobile Command
Mobile Medical
Mobile Broadcast
Aviation