

ABOUT US

Since 1998, Northern-Air Systems has been a leading provider of specialized cooling systems.

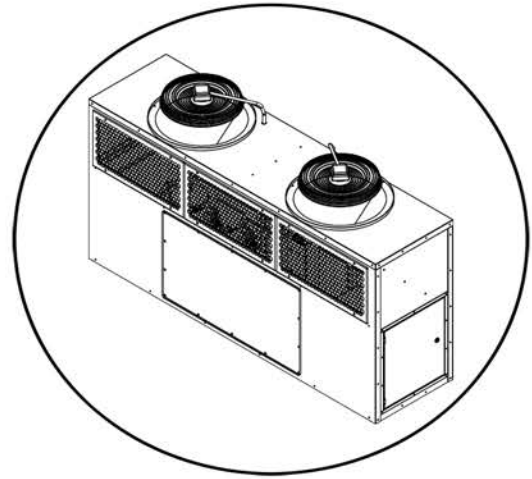
With thousands of systems in operation, we have the lowest downtime on the market. Northern Air Systems has been the trusted name for quality and dependability worldwide.



www.northernairsystems.com
 Phone: (585) 594-5050
 Service/Support/Parts: (888) 723-9230

T103CHFNA1SSA00

PRODUCT DATA SHEET



System Description

- 26 kW / hour total cooling capacity at 35°C
- Copeland scroll tandem compressor providing staged cooling capacity
- Single circuit refrigeration system
- 51 L/min single circuit chilled water loop
- Programmable Logic Controller (PLC)
- High quality German-designed axial condenser fan
- High quality German-designed centrifugal evaporator blower
- Low ambient operation -35°C to 45°C
- Tubular frame construction with 12-18ga sheet metal exterior
- Custom white polyester powder coat finish
- Hinged access doors with tool-access latches
- R-407C refrigerant
- Remote Display 20EPGD1

Fan Coils and Accessories: Kit P/N: ACC-FCSMIT-A00

- One (1) Model MHCCW-04-03, Chilled water concealed ceiling fan coil, 1 ton, 2-pipe, 3Kw electric heat, voltage: 208/230.
- One (1) Model MHCCW-06-05, Chilled water concealed ceiling fan coil, 1.5 ton, 2- pipe, 5Kw electric heat, voltage: 208/230
- Two (2) Model MHCCW-08-05, Chilled water concealed ceiling fan coil, 2-ton, 2- pipe, 5Kw electric heat, voltage: 208/230
- Four (4) Model 20MMPE468 Enclosure requiring field assembly by others.
- Four (4) Model 20MMAP468L, Ceiling panels, louvered with filter racks
- Four (4) Model 20MT3212G (13A020), ½ inch three (3) way control valve, 24 VAC
- Four (4) Model 20E4YE42 Digital Thermostat, Auto changeover



Electrical Data

- 415 VAC, 3PH, 50Hz
- Cooling Load - 25A
- MCA - 22A | MOP - 32A

Northern Air Systems

3605 Buffalo Rd
 Rochester, NY 14624
 Phone: (585) 594-5050
 General Info: info@northernairtech.com
 ISO 9001 Certified

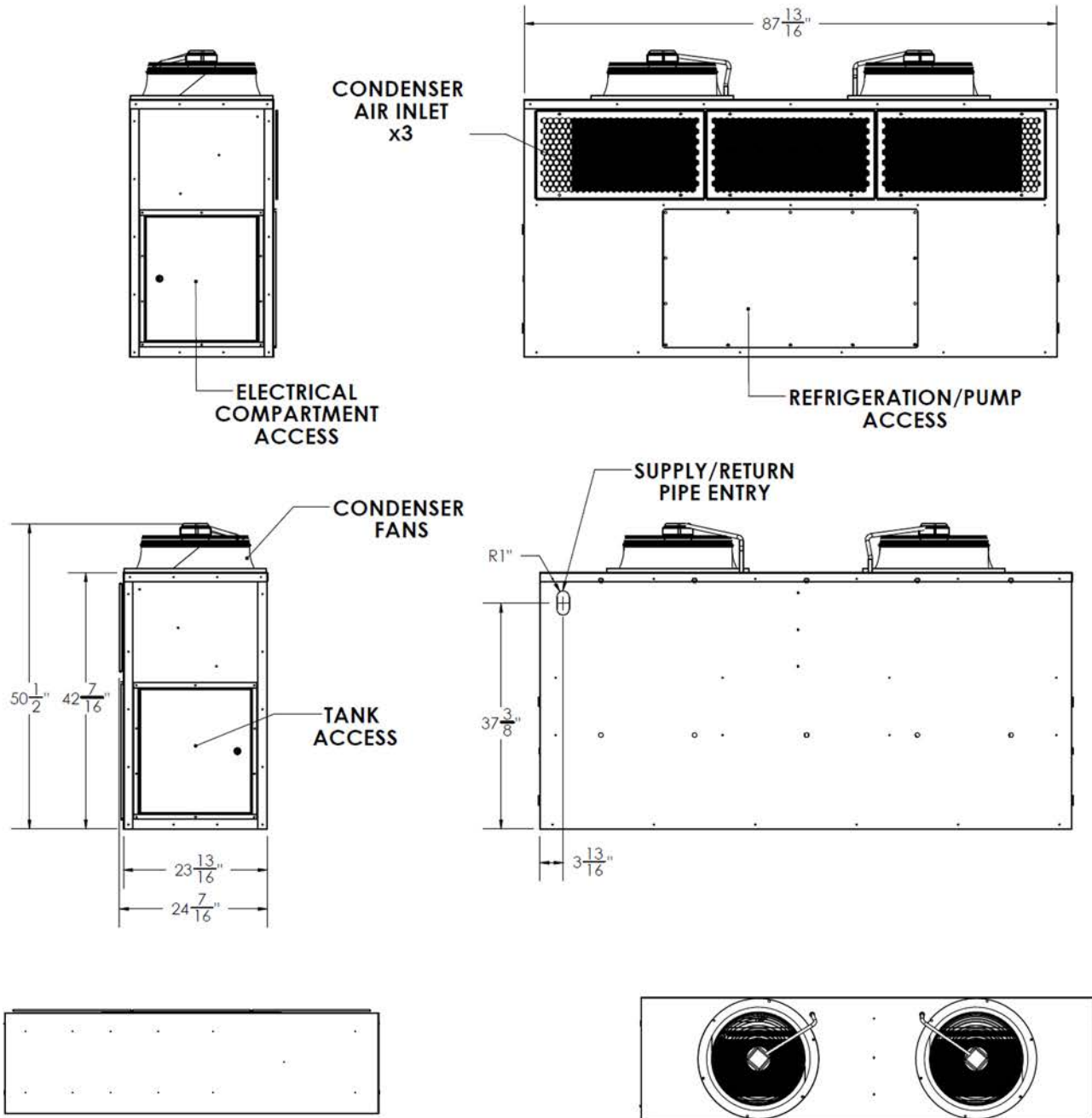
Northern Air Technology

10421 Mammoth Ave
 Baton Rouge, LA 70814
 Phone: (225) 771-8154
 General Info: info@northernairtech.com
 ISO 9001 Certified

Explosion Proof HVAC
 Oil & Gas Offshore
 Onshore & Refineries
 Hazardous Locations
 Military
 Homeland Security

Chemical
 Mobile Command
 Mobile Medical
 Mobile Broadcast
 Aviation

T103CHFNA1SSA00
PRODUCT DATA SHEET



Northern Air Systems

3605 Buffalo Rd
Rochester, NY 14624
Phone: (585) 594-5050
General Info: info@northernairtech.com
ISO 9001 Certified

Northern Air Technology

10421 Mammoth Ave
Baton Rouge, LA 70814
Phone: (225) 771-8154
General Info: info@northernairtech.com
ISO 9001 Certified

Explosion Proof HVAC
Oil & Gas Offshore
Onshore & Refineries
Hazardous Locations
Military
Homeland Security

Chemical
Mobile Command
Mobile Medical
Mobile Broadcast
Aviation