

ABOUT US

Since 1998, Northern-Air Systems has been a leading provider of specialized cooling systems.

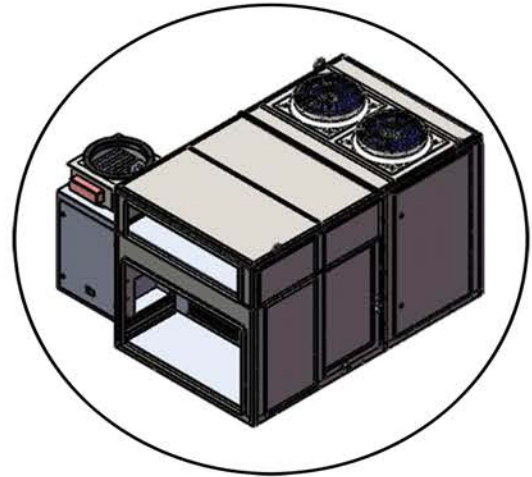
With thousands of systems in operation, we have the lowest downtime on the market. Northern Air Systems has been the trusted name for quality and dependability worldwide.



www.northernairsystems.com
 Phone: (585) 594-5050
 Service/Support/Parts: (888) 723-9230

X180SMANB1SSD00

PRODUCT DATA SHEET



System Description

- Condensing Section is designed in accordance w/ Class I, Division 1, Group D, T3
- Evaporator Section is designed for Non-Hazardous Location (Indoor Section)
- Galvanized Steel, Powder Coat Finish Cabinet
- Stainless Steel Fasteners
- Copper Tube & Aluminum Fins Condenser and Evaporator Coils
- Heresite Protective Coating – Condenser Coil
- Remote HVAC Mimic / Display (mounted by others in safe area)
- Programmable Logic Controller (PLC)
- Dry contacts are provided for – Unit Failure; High Temp & Alarm
- Low ambient operation to -20°F
- High quality German-designed axial condenser fan & centrifugal evap blower
- Hinged access doors with tool-access latches
- R-134A EPA-compliant refrigerant

NFPA 496 Purge & Pressurization Unit, Type Z:

- 600 to 4,000 CFM pressurization fan
- Class I, Division 1, Group D
- Independent power connection
- NEMA 7 unit disconnect switch (Mounted by others)
- NEMA 7 Purge & Pressurization Control Panel {Mounted by others}
- Room pressure remote operator interface box {Mounted by others}
- Gas Tight Damper

Electrical Data

- 480VAC, 3PH, 60Hz
- Heat Load - 0A | Cooling Load - 45A
- SCCR - 50kA
- MCA - 50A | MOP - 60A

Design Specs

- Supply Airflow - 5,000 CFM
- External Static Pressure - 1.27 in WC
- Total Cooling Capacity:
 80°Fdb/67°Fwb Return,
 180,000 BTU/hr
- Weight - 2,500 lbs

Northern Air Systems

3605 Buffalo Rd
 Rochester, NY 14624
 Phone: (585) 594-5050
 General Info: info@northernairtech.com
 ISO 9001 Certified

Northern Air Technology

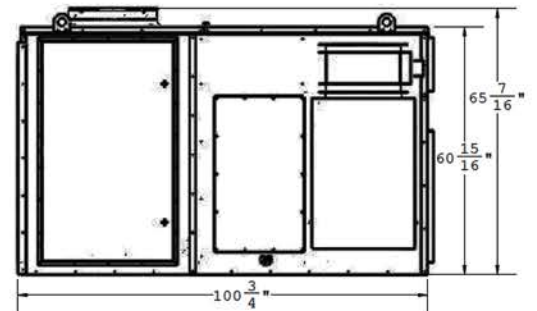
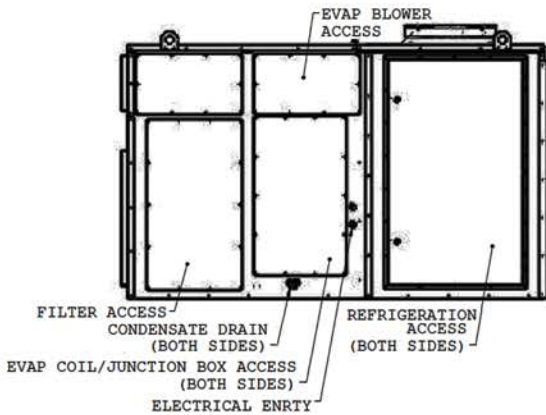
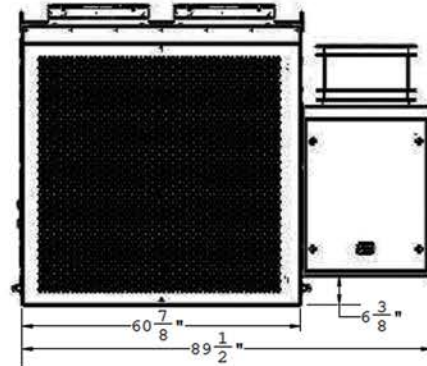
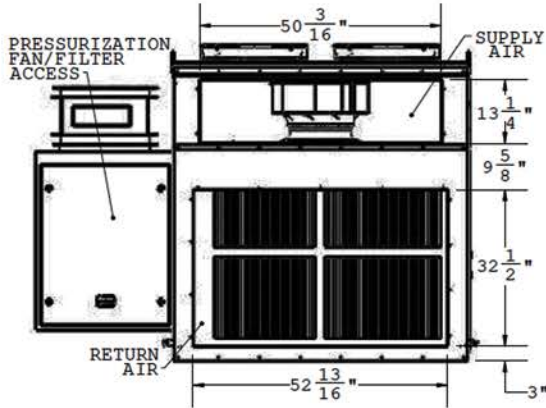
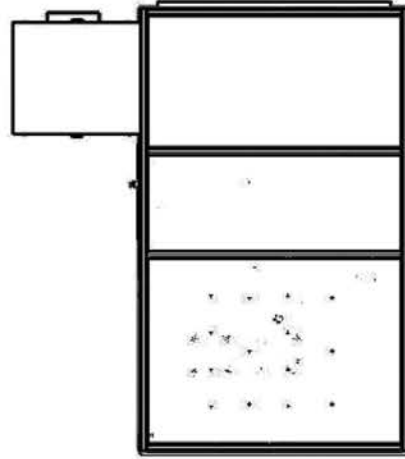
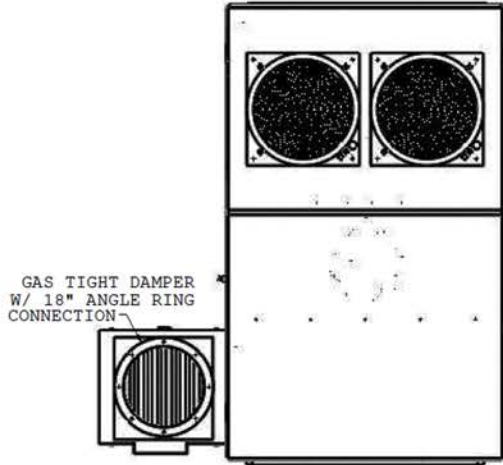
10421 Mammoth Ave
 Baton Rouge, LA 70814
 Phone: (225) 771-8154
 General Info: info@northernairtech.com
 ISO 9001 Certified

Explosion Proof HVAC
 Oil & Gas Offshore
 Onshore & Refineries
 Hazardous Locations
 Military
 Homeland Security

Chemical
 Mobile Command
 Mobile Medical
 Mobile Broadcast
 Aviation

X180SMANB1SSD00

PRODUCT DATA SHEET



Northern Air Systems

3605 Buffalo Rd
Rochester, NY 14624
Phone: (585) 594-5050
General Info: info@northernairtech.com
ISO 9001 Certified

Northern Air Technology

10421 Mammoth Ave
Baton Rouge, LA 70814
Phone: (225) 771-8154
General Info: info@northernairtech.com
ISO 9001 Certified

Explosion Proof HVAC
Oil & Gas Offshore
Onshore & Refineries
Hazardous Locations
Military
Homeland Security

Chemical
Mobile Command
Mobile Medical
Mobile Broadcast
Aviation