

ABOUT US

Since 1998, Northern-Air Systems has been a leading provider of specialized cooling systems.

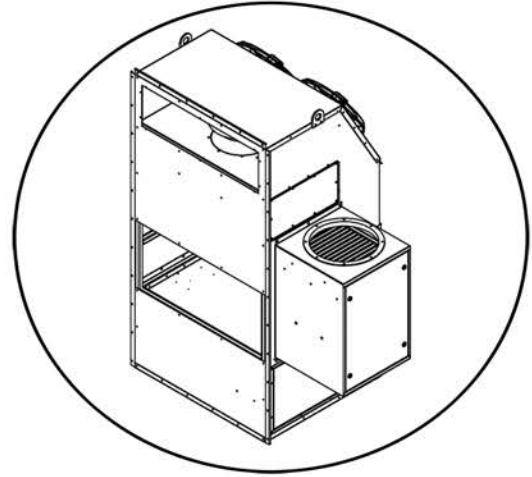
With thousands of systems in operation, we have the lowest downtime on the market. Northern Air Systems has been the trusted name for quality and dependability worldwide.



www.northernairsystems.com
 Phone: (585) 594-5050
 Service/Support/Parts: (888) 723-9230

X150WMAPB1SHA03

PRODUCT DATA SHEET



System Description

- Condensing Section in accordance with Class I, Division 2, Group C & D, T3
- General Purpose Evaporator Sections
- General Purpose (NEMA 4) Remotely Located Control Panel (Mounted by Others)
- 30kW Resistive heat
- Single semi-hermetic compressor with staged unloading
- High quality components: Axial condenser fan and centrifugal evaporator blower
- Humidity Sensor for dehumidification mode
- Programmable Logic Controller (PLC)
- Dry contacts are provided for Unit Failure; High Temp & Alarm
- Low ambient operation to -30°F
- 12-18ga galvanized sheet metal construction
- Standard gloss white polyester powder coating
- Remote display (mounted by others)
- Hinged access doors with tool-access latches
- Standard coil design
- Heresite Coated Coils
- R-134A EPA-compliant refrigerant

Explosion Proof Purge & Pressurization System: NAS Model # P-4000

- NFPA 496 Purge & Pressurization Unit
- 4,000 CFM pressurization fan
- Independent power connection
- Remote Mounted Explosion Proof (NEMA 7/9) Electrical Control Panel {Mounted by others}
- MERV 11, 2-inch filtration
- Room pressure remote operator interface box {Mounted by others} **Intake Stack not included**

Electrical Data

- 480 VAC, 3PH, 60Hz
- Cooling RLA - 27A
- Heating RLA - 40A
- Dehum RLA - 64A
- MCA - 78A | MOP - 80A

Design Specs

- Supply Airflow - 5,600 CFM
- External Static Pressure - 0.8 in WC
- Total Cooling Capacity: 80°Fdb/67°Fwb Return, 12,500 BTU/hr
- Weight: 1,600lbs

Northern Air Systems

3605 Buffalo Rd
 Rochester, NY 14624
 Phone: (585) 594-5050
 General Info: info@northernairtech.com
 ISO 9001 Certified

Northern Air Technology

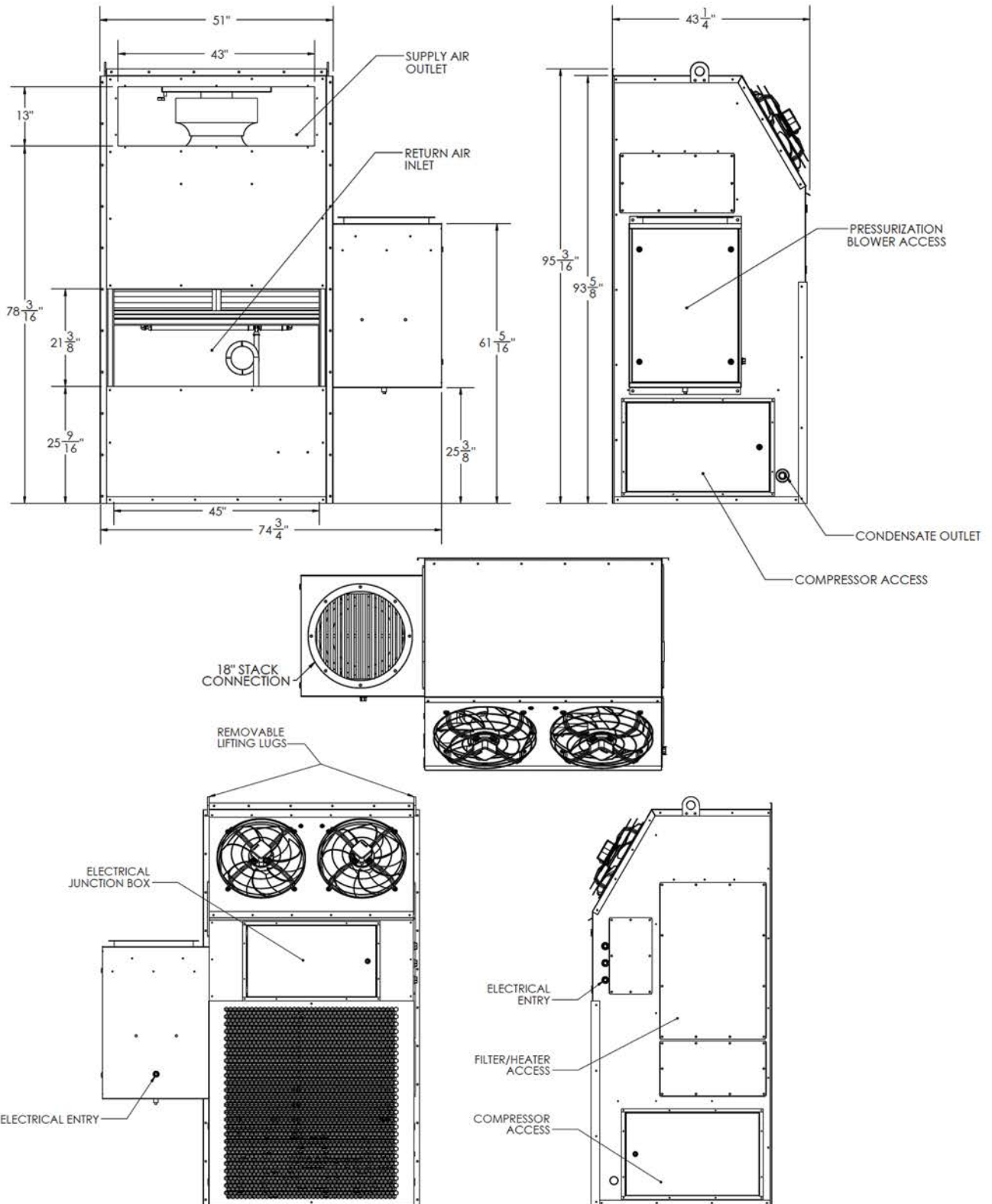
10421 Mammoth Ave
 Baton Rouge, LA 70814
 Phone: (225) 771-8154
 General Info: info@northernairtech.com
 ISO 9001 Certified

Explosion Proof HVAC
 Oil & Gas Offshore
 Onshore & Refineries
 Hazardous Locations
 Military
 Homeland Security

Chemical
 Mobile Command
 Mobile Medical
 Mobile Broadcast
 Aviation

X150WMAPB1SHA03

PRODUCT DATA SHEET



Northern Air Systems

3605 Buffalo Rd
 Rochester, NY 14624
 Phone: (585) 594-5050
 General Info: info@northernairtech.com
 ISO 9001 Certified

Northern Air Technology

10421 Mammoth Ave
 Baton Rouge, LA 70814
 Phone: (225) 771-8154
 General Info: info@northernairtech.com
 ISO 9001 Certified

Explosion Proof HVAC
 Oil & Gas Offshore
 Onshore & Refineries
 Hazardous Locations
 Military
 Homeland Security

Chemical
 Mobile Command
 Mobile Medical
 Mobile Broadcast
 Aviation