

ABOUT US

Since 1998, Northern-Air Systems has been a leading provider of specialized cooling systems.

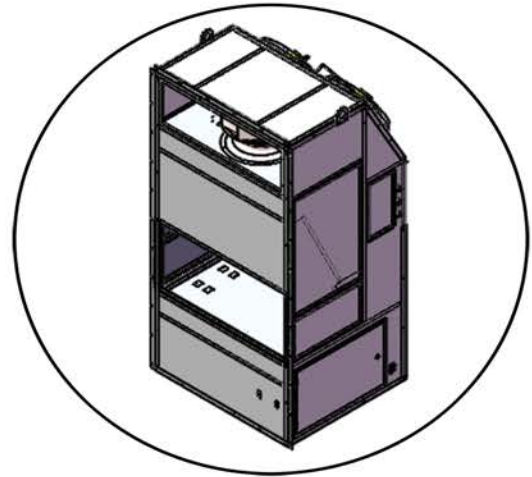
With thousands of systems in operation, we have the lowest downtime on the market. Northern Air Systems has been the trusted name for quality and dependability worldwide.



www.northernairsystems.com
 Phone: (585) 594-5050
 Service/Support/Parts: (888) 723-9230

X120WMANB1SHC02

PRODUCT DATA SHEET



System Description

- Condensing section built for Class 1, Division 2
- General Purpose Evaporator Section
- Remotely Mounted Control Panel – General Purpose.
- Carlyle Semi-Hermetic compressor that provides three stages of cooling capacity
- High quality components: Axial condenser fan and centrifugal evaporator blower
- No resistive heat
- Humidity Sensor for dehumidification mode
- Programmable Logic Controller (PLC)
- Dry contacts are provided for – Unit Failure; High Temp & Alarm
- Low ambient operation to -30°F
- 12-18ga galvanized sheet metal construction
- Standard gloss white polyester powder coating
- Remote display (mounted by others)
- Hinged access doors with tool-access latches
- Coils to be copper tube/aluminum fin
 - Coils and condensing section to have Heresite coating
- 100% recirculation- -no outside air
- R-134A EPA-compliant refrigerant

Electrical Data

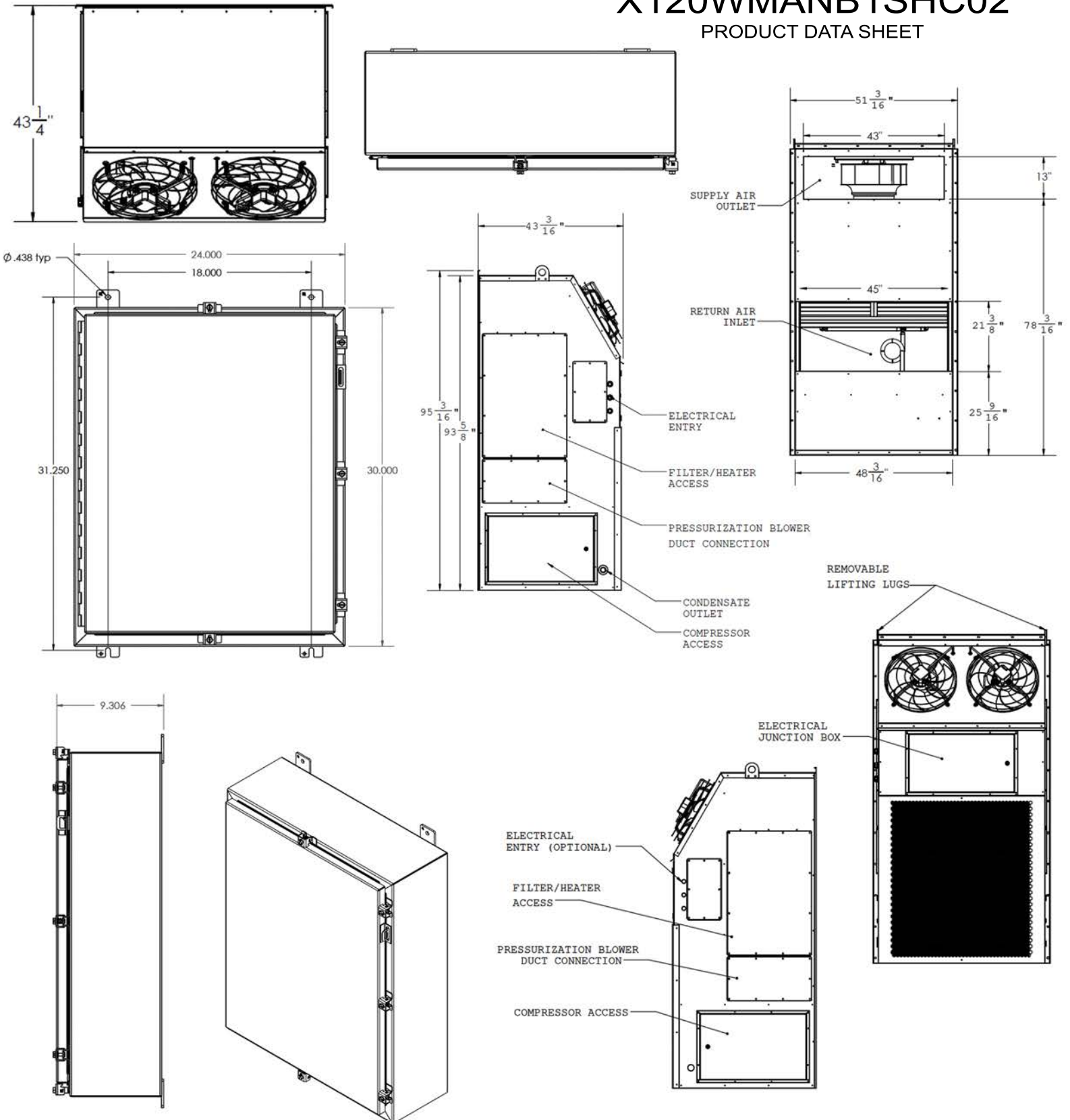
- 480 VAC, 3PH, 60Hz
- Cooling Load - 27A
- MCA - 32A | MOP - 50A
- SCCR - 50kA

Design Specs

- Supply Airflow - 4,500 CFM
- External Static Pressure - 1.0 in WC
- Total Cooling Capacity:
 80°Fdb/67°Fwb Return,
 120,000 BTU/hr
- Weight - 1,500 lbs

X120WMANB1SHC02

PRODUCT DATA SHEET



Northern Air Systems

3605 Buffalo Rd
 Rochester, NY 14624
 Phone: (585) 594-5050
 General Info: info@northernairtech.com
 ISO 9001 Certified

Northern Air Technology

10421 Mammoth Ave
 Baton Rouge, LA 70814
 Phone: (225) 771-8154
 General Info: info@northernairtech.com
 ISO 9001 Certified

Explosion Proof HVAC
 Oil & Gas Offshore
 Onshore & Refineries
 Hazardous Locations
 Military
 Homeland Security

Chemical
 Mobile Command
 Mobile Medical
 Mobile Broadcast
 Aviation