

## ABOUT US

Since 1998, Northern-Air Systems has been a leading provider of specialized cooling systems.

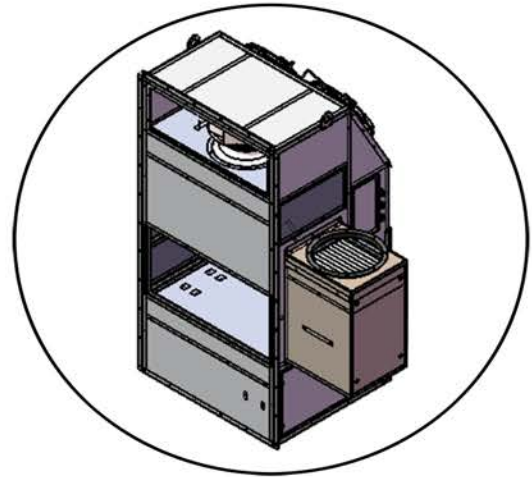
With thousands of systems in operation, we have the lowest downtime on the market. Northern Air Systems has been the trusted name for quality and dependability worldwide.



www.northernairsystems.com  
 Phone: (585) 594-5050  
 Service/Support/Parts: (888) 723-9230

## X120WMAGB1SHC01

### PRODUCT DATA SHEET



### System Description

- Condensing Section built in accordance w/ Class I, Division 2, Group C & D, T3
- General Purpose Evaporator Section w/ single circuit evap coil
- Remotely located Electrical Control Panel \*
- High quality axial condenser fan & centrifugal evap blower
- 18kW resistive heat
- Programmable Logic Controller (PLC)
- Dry contacts are provided for Unit Failure; High Temp & Alarm
- Low ambient operation to 20°F
- Remote display \*
- Hinged access doors w/ tool-access latches
- Copper tube/aluminum fin coils w/ Heresite coatings
- R134A refrigerant - EPA compliant
- NFPA 496 Purge & Pressurization Unit, Type Z:
  - 400-3,000 CFM pressurization fan
  - Independent power connection
  - NEMA 7 Purge & Pressurization Control \*
  - Room pressure remote operator interface box \*

### Electrical Data

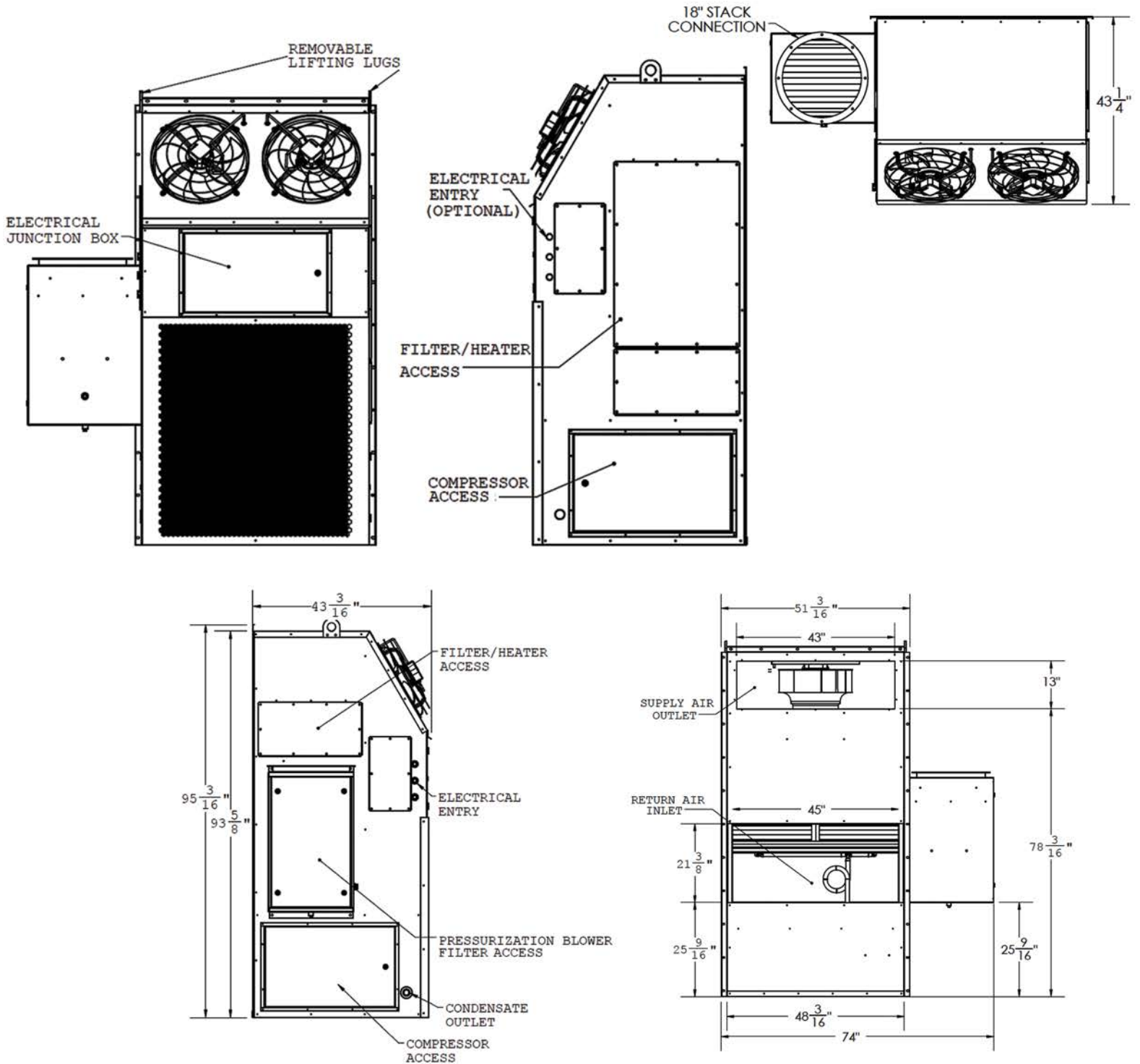
- 480 VAC, 3PH, 60Hz
- Cooling Load - 32A
- Heating Load - 26A
- MCA - 70A, MOP - 80A
- SCCR - 50kA

### Design Specs

- Supply Airflow - 4,000 CFM
- External Static Pressure - 0.8 in WC
- Total Cooling Capacity:
  - 80°Fdb/67° Fwb Return,
  - 95°F AMB - 120,000 BTU/hr
- Weight - 1,500 lbs

## X120WMAGB1SHC01

PRODUCT DATA SHEET



### Northern Air Systems

3605 Buffalo Rd  
 Rochester, NY 14624  
 Phone: (585) 594-5050  
 General Info: [info@northernairtech.com](mailto:info@northernairtech.com)  
 ISO 9001 Certified

### Northern Air Technology

10421 Mammoth Ave  
 Baton Rouge, LA 70814  
 Phone: (225) 771-8154  
 General Info: [info@northernairtech.com](mailto:info@northernairtech.com)  
 ISO 9001 Certified

Explosion Proof HVAC  
 Oil & Gas Offshore  
 Onshore & Refineries  
 Hazardous Locations  
 Military  
 Homeland Security

Chemical  
 Mobile Command  
 Mobile Medical  
 Mobile Broadcast  
 Aviation