

ABOUT US

Since 1998, Northern-Air Systems has been a leading provider of specialized cooling systems.

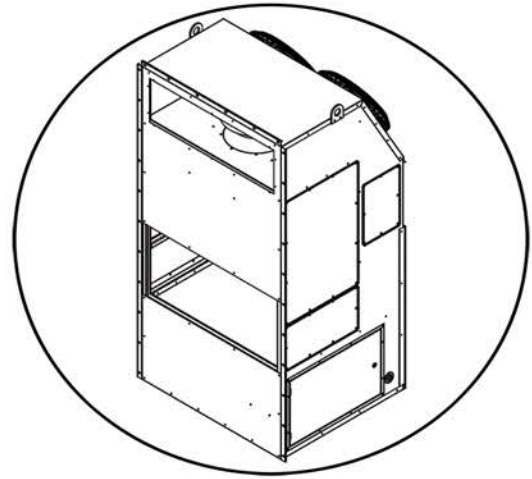
With thousands of systems in operation, we have the lowest downtime on the market. Northern Air Systems has been the trusted name for quality and dependability worldwide.



www.northernairsystems.com
 Phone: (585) 594-5050
 Service/Support/Parts: (888) 723-9230

V150WMGNB1SHC01

PRODUCT DATA SHEET



System Description

- Carlyle semi-hermetic compressor that provides three stages of cooling capacity
- Programmable Logic Controller (PLC)
- Low ambient operation to -30°F
- High quality German-designed axial condenser fan & centrifugal evaporator blower
- 12-18 ga sheet metal construction with 1/8" structural steel frame
- Standard white polyester powder coat finish
- Hinged access doors with tool-access latches
- Powder-coated condenser guard
- R-134A EPA-compliant refrigerant



Electrical Data

- 575 VAC, 3PH, 60Hz
- Heat Load - 0A
- Cooling Load - 25A
- SCCR - 50kA
- MCA - 66A | MOP - 110A



Design Specs

- Supply Airflow - 5,000 CFM
- External Static Pressure - 0.8 in WC
- Total Cooling Capacity:
 80°Fdb/67°Fwb Return,
 150,000 BTU/hr
- Weight - 1,500 lbs

Northern Air Systems

3605 Buffalo Rd
 Rochester, NY 14624
 Phone: (585) 594-5050
 General Info: info@northernairtech.com
 ISO 9001 Certified

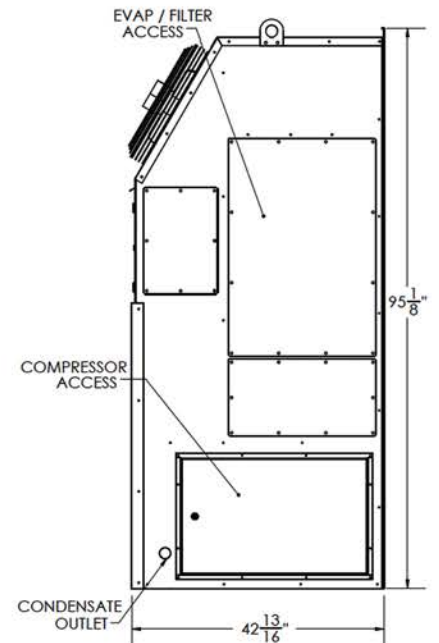
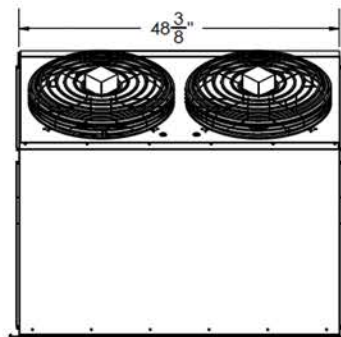
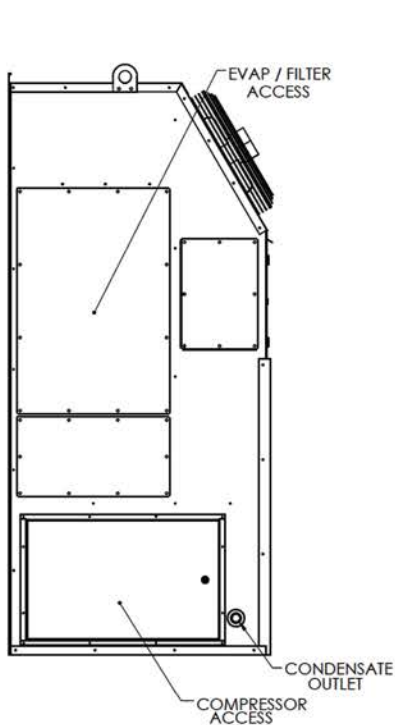
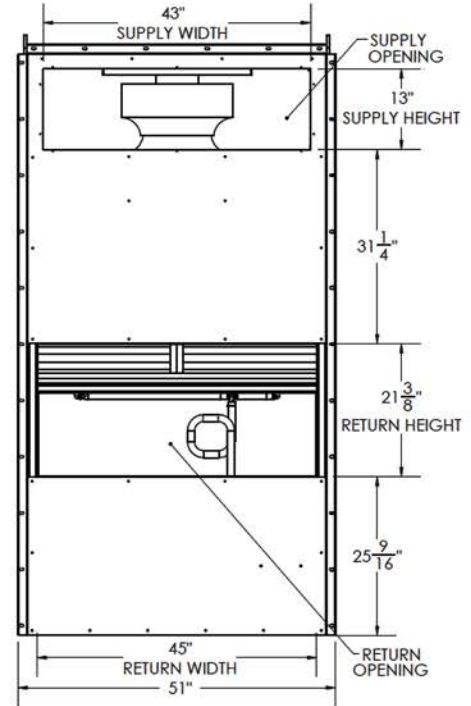
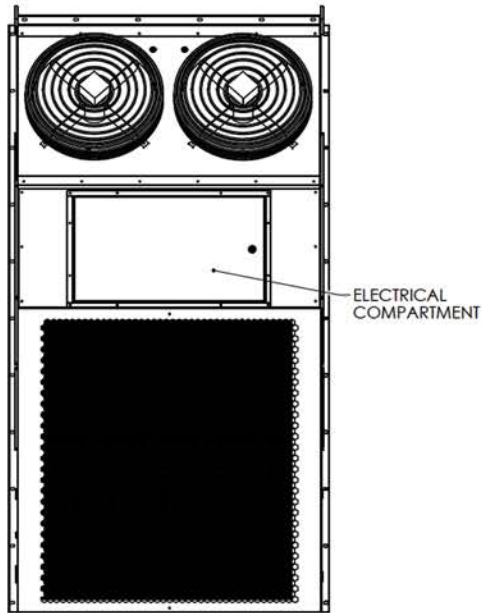
Northern Air Technology

10421 Mammoth Ave
 Baton Rouge, LA 70814
 Phone: (225) 771-8154
 General Info: info@northernairtech.com
 ISO 9001 Certified

Explosion Proof HVAC
 Oil & Gas Offshore
 Onshore & Refineries
 Hazardous Locations
 Military
 Homeland Security

Chemical
 Mobile Command
 Mobile Medical
 Mobile Broadcast
 Aviation

V150WMGNB1SHC01
PRODUCT DATA SHEET



Northern Air Systems

3605 Buffalo Rd
Rochester, NY 14624
Phone: (585) 594-5050
General Info: info@northernairtech.com
ISO 9001 Certified

Northern Air Technology

10421 Mammoth Ave
Baton Rouge, LA 70814
Phone: (225) 771-8154
General Info: info@northernairtech.com
ISO 9001 Certified

Explosion Proof HVAC
Oil & Gas Offshore
Onshore & Refineries
Hazardous Locations
Military
Homeland Security

Chemical
Mobile Command
Mobile Medical
Mobile Broadcast
Aviation