

ABOUT US

Since 1998, Northern-Air Systems has been a leading provider of specialized cooling systems.

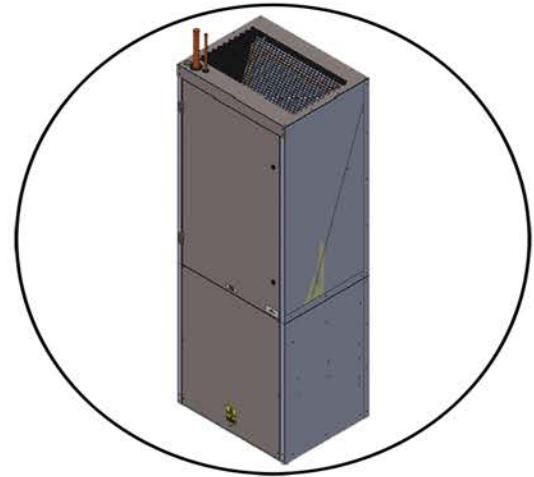
With thousands of systems in operation, we have the lowest downtime on the market. Northern Air Systems has been the trusted name for quality and dependability worldwide.



www.northernairsystems.com
Phone: (585) 594-5050
Service/Support/Parts: (888) 723-9230

V150FCANB1SNB02

PRODUCT DATA SHEET



System Description

- 150,000 BTU / hour total cooling capacity at 95°F
- 480 VAC, 3-phase, 60-Hz power
- Programmable Logic Controller (PLC)
- High quality German-designed centrifugal evaporator blower
- R-134A EPA-compliant refrigerant
- Hinged access doors with tool-access latches
- Vertical Evaporator Fan Coil Unit
 - Return located lower front mid-point
 - 12-18 gauge sheet metal construction
 - ANSI-61 gray polyester powder coat finish
 - No resistive heat

Northern Air Systems

3605 Buffalo Rd
Rochester, NY 14624
Phone: (585) 594-5050
General Info: info@northernairtech.com
ISO 9001 Certified

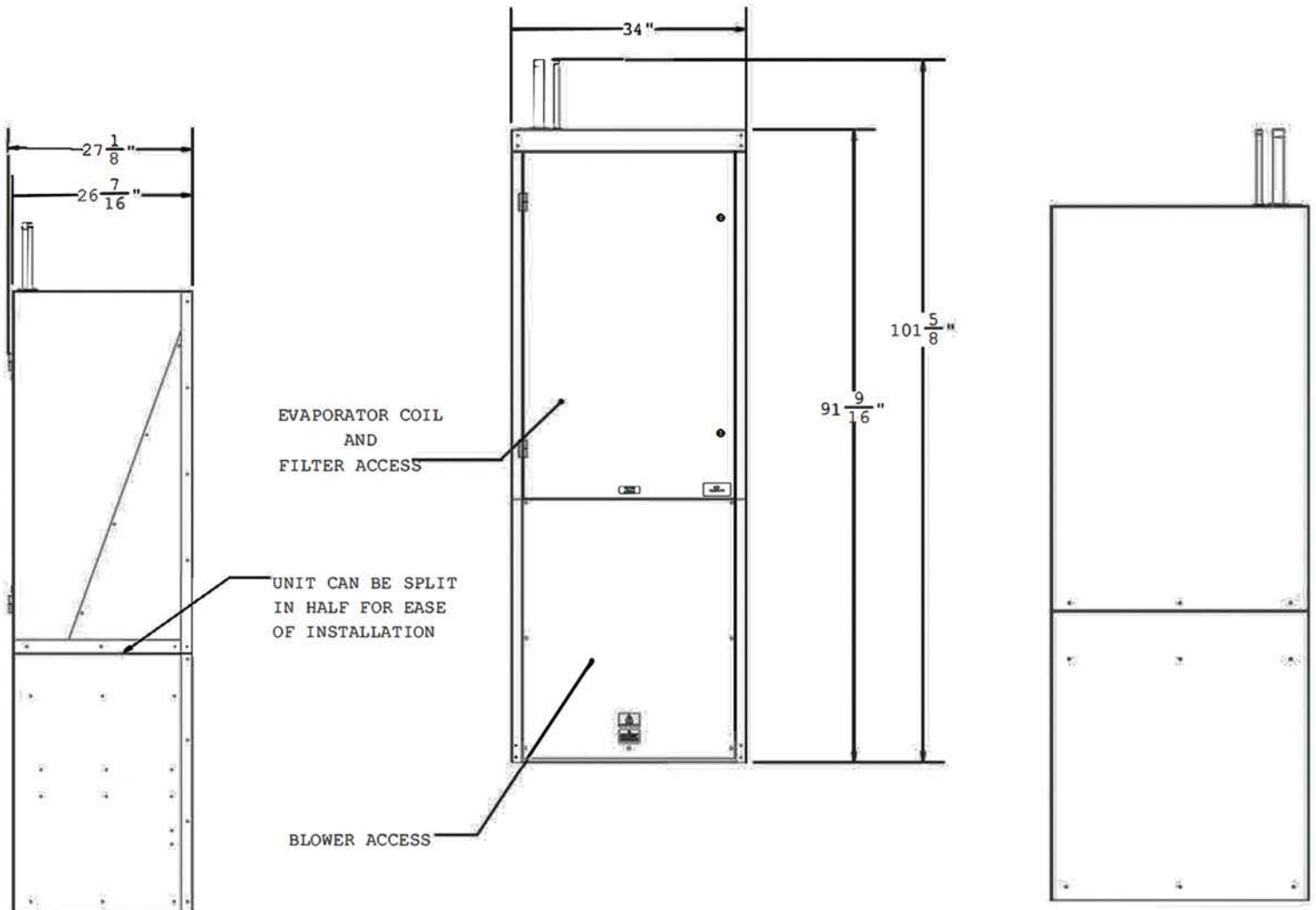
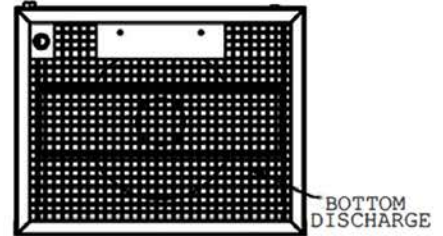
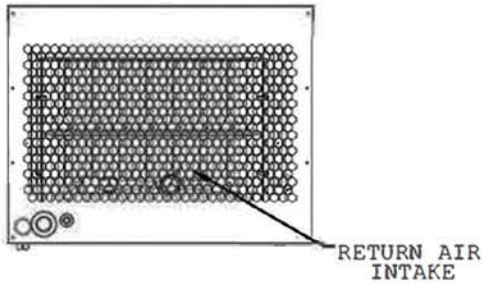
Northern Air Technology

10421 Mammoth Ave
Baton Rouge, LA 70814
Phone: (225) 771-8154
General Info: info@northernairtech.com
ISO 9001 Certified

Explosion Proof HVAC
Oil & Gas Offshore
Onshore & Refineries
Hazardous Locations
Military
Homeland Security

Chemical
Mobile Command
Mobile Medical
Mobile Broadcast
Aviation

V150FCANB1SNB02
PRODUCT DATA SHEET



Northern Air Systems

3605 Buffalo Rd
Rochester, NY 14624
Phone: (585) 594-5050
General Info: info@northernairtech.com
ISO 9001 Certified

Northern Air Technology

10421 Mammoth Ave
Baton Rouge, LA 70814
Phone: (225) 771-8154
General Info: info@northernairtech.com
ISO 9001 Certified

Explosion Proof HVAC
Oil & Gas Offshore
Onshore & Refineries
Hazardous Locations
Military
Homeland Security

Chemical
Mobile Command
Mobile Medical
Mobile Broadcast
Aviation