

## ABOUT US

Since 1998, Northern-Air Systems has been a leading provider of specialized cooling systems.

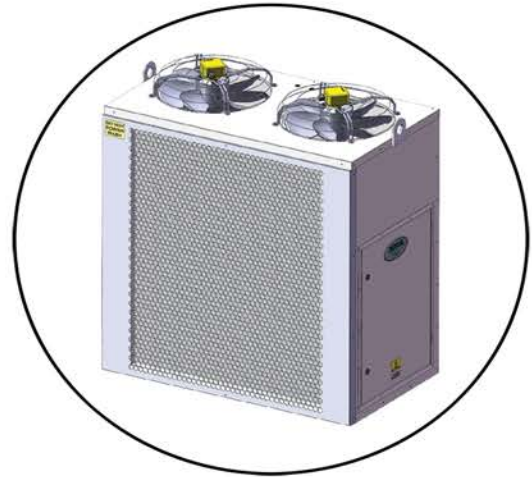
With thousands of systems in operation, we have the lowest downtime on the market. Northern Air Systems has been the trusted name for quality and dependability worldwide.



www.northernairsystems.com  
 Phone: (585) 594-5050  
 Service/Support/Parts: (888) 723-9230

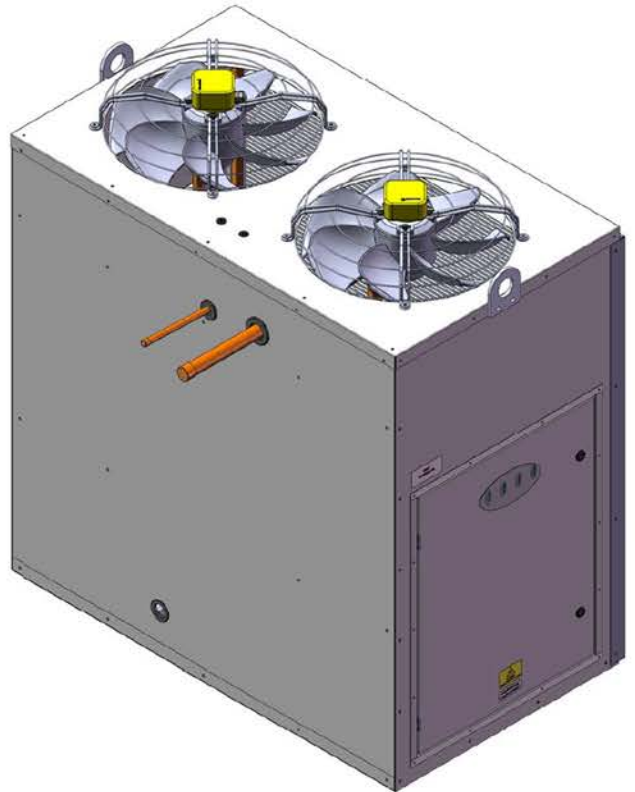
## V150CUANB1SHA02

PRODUCT DATA SHEET



### System Description

- Cooling Capacity: 150,000 BTU/HR @ 95°F Ambient , 50F SST
- Heat Capacity: 0KW (10KW Option)
- Power Consumption: 480VAC, 3PH, 60HZ
- Refrigerant: R-134A
- Operating Ambient: -30°F to 130°F
- Remote Electrical Panel w/ 40FT Cable Length



### Northern Air Systems

3605 Buffalo Rd  
 Rochester, NY 14624  
 Phone: (585) 594-5050  
 General Info: info@northernairtech.com  
 ISO 9001 Certified

### Northern Air Technology

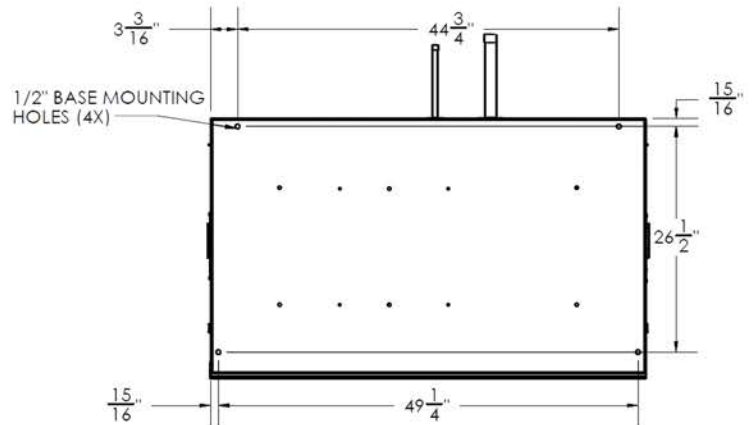
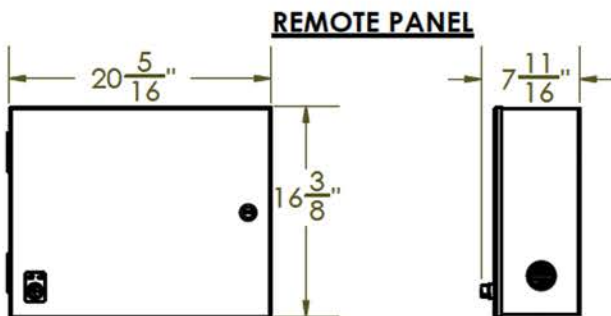
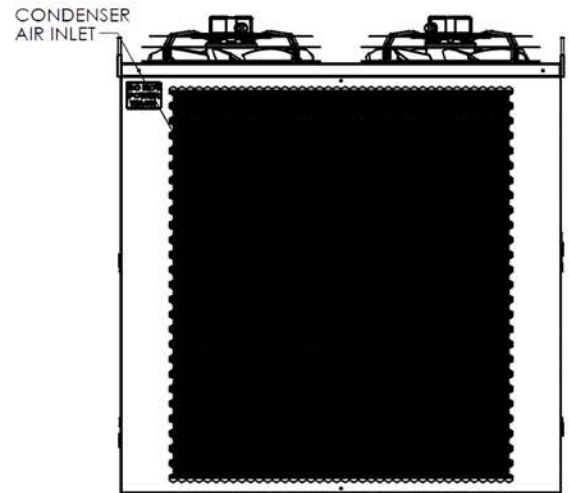
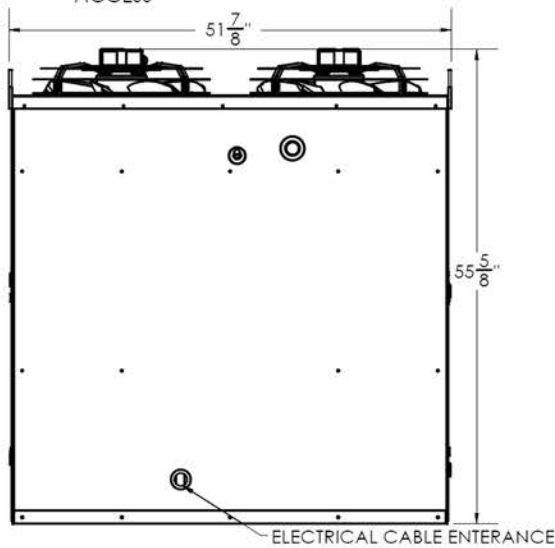
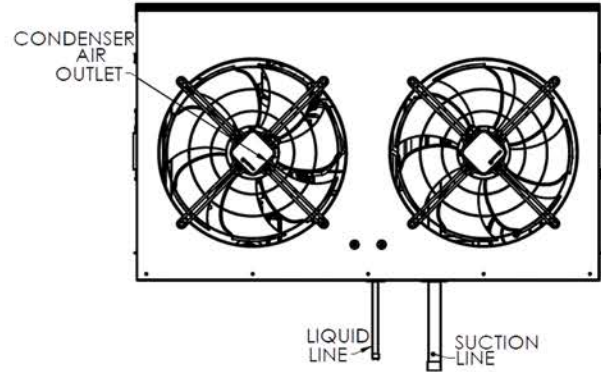
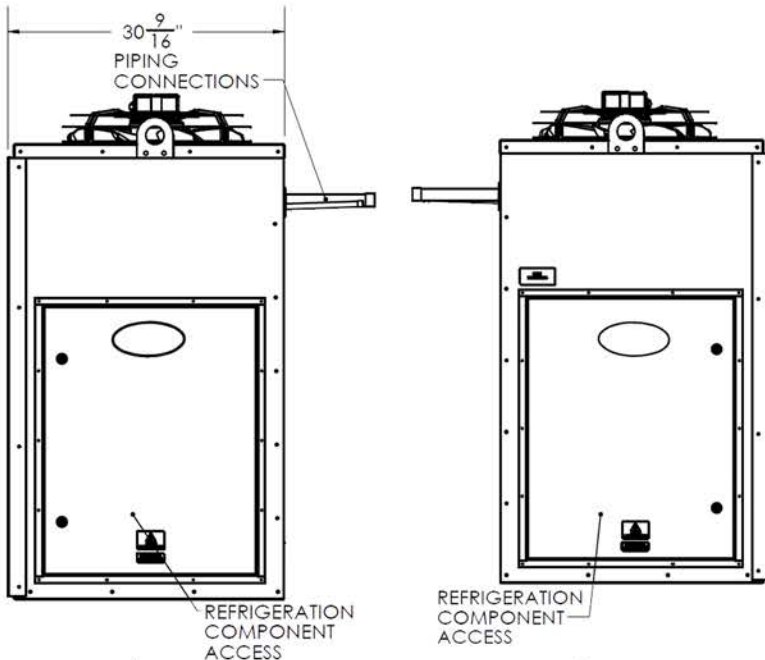
10421 Mammoth Ave  
 Baton Rouge, LA 70814  
 Phone: (225) 771-8154  
 General Info: info@northernairtech.com  
 ISO 9001 Certified

Explosion Proof HVAC  
 Oil & Gas Offshore  
 Onshore & Refineries  
 Hazardous Locations  
 Military  
 Homeland Security

Chemical  
 Mobile Command  
 Mobile Medical  
 Mobile Broadcast  
 Aviation

## V150CUANB1SHA02

PRODUCT DATA SHEET



### Northern Air Systems

3605 Buffalo Rd  
 Rochester, NY 14624  
 Phone: (585) 594-5050  
 General Info: [info@northernairtech.com](mailto:info@northernairtech.com)  
 ISO 9001 Certified

### Northern Air Technology

10421 Mammoth Ave  
 Baton Rouge, LA 70814  
 Phone: (225) 771-8154  
 General Info: [info@northernairtech.com](mailto:info@northernairtech.com)  
 ISO 9001 Certified

Explosion Proof HVAC  
 Oil & Gas Offshore  
 Onshore & Refineries  
 Hazardous Locations  
 Military  
 Homeland Security

Chemical  
 Mobile Command  
 Mobile Medical  
 Mobile Broadcast  
 Aviation