

ABOUT US

Since 1998, Northern-Air Systems has been a leading provider of specialized cooling systems.

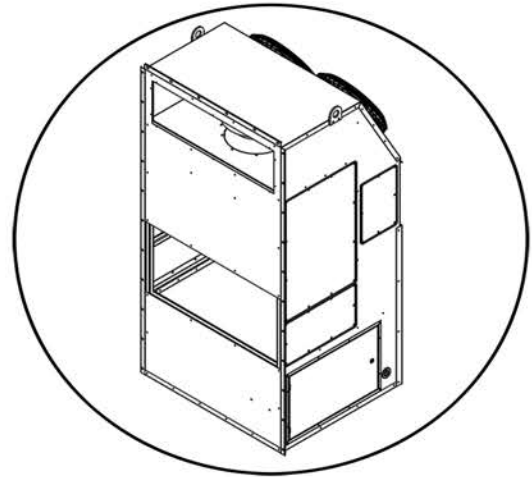
With thousands of systems in operation, we have the lowest downtime on the market. Northern Air Systems has been the trusted name for quality and dependability worldwide.



www.northernairsystems.com
 Phone: (585) 594-5050
 Service/Support/Parts: (888) 723-9230

V120WMAEB1SHC08

PRODUCT DATA SHEET



System Description

- Carlyle semi-hermetic compressor that provides three stages of cooling capacity
- Programmable Logic Controller (PLC)
- Electrical Control Panel Integral to Unit
- Ambient operation from -30°F to 120°F
- High quality German-designed axial condenser fan & Ecentrifugal evaporator blower
- Standard copper tube-aluminum fin coils
- 12-18ga sheet metal construction with 1/8" structural steel frame
- Standard white polyester powder coat finish
- Hinged access doors with tool-access latches
- Powder Coated Condenser Guard
- R-134A EPA-compliant refrigerant
- 10kW resistive heat



Electrical Data

- 480 VAC, 3PH, 60Hz
- Cooling FLA - 27A
- Heating FLA - 13A
- MCA - 30A, MOP - 50A
- SCCR - 50kA



Design Specs

- Supply Airflow - 4,000 CFM
- External Static Pressure - 0.8 in WC
- Total Cooling Capacity:
 80°Fdb/70° Fwb Return,
 104°F AMB - 120,000 BTU/hr
- Weight - 1,500 lbs

Northern Air Systems

3605 Buffalo Rd
 Rochester, NY 14624
 Phone: (585) 594-5050
 General Info: info@northernairtech.com
 ISO 9001 Certified

Northern Air Technology

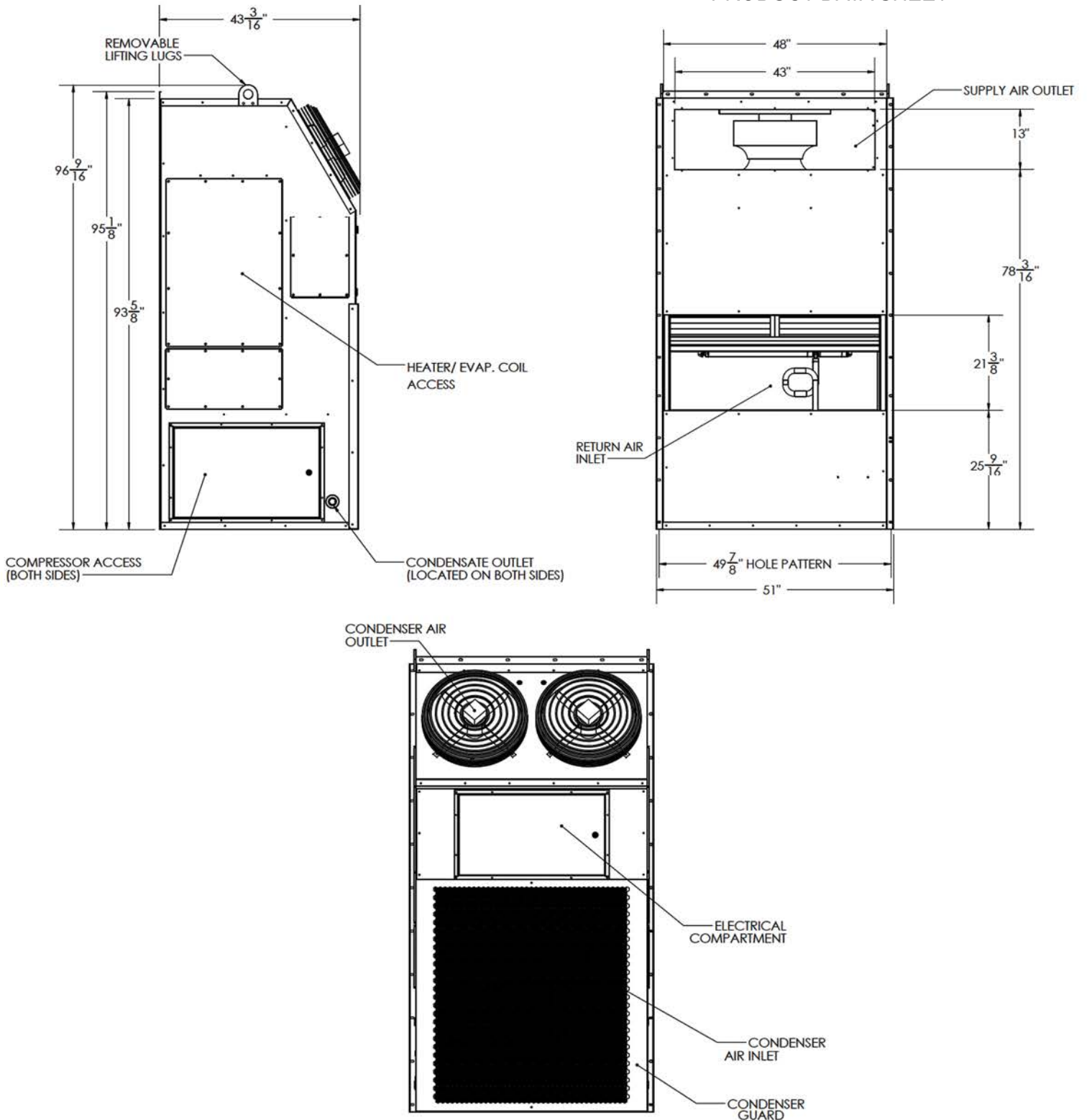
10421 Mammoth Ave
 Baton Rouge, LA 70814
 Phone: (225) 771-8154
 General Info: info@northernairtech.com
 ISO 9001 Certified

Explosion Proof HVAC
 Oil & Gas Offshore
 Onshore & Refineries
 Hazardous Locations
 Military
 Homeland Security

Chemical
 Mobile Command
 Mobile Medical
 Mobile Broadcast
 Aviation

V120WMAEB1SHC08

PRODUCT DATA SHEET



Northern Air Systems

3605 Buffalo Rd
 Rochester, NY 14624
 Phone: (585) 594-5050
 General Info: info@northernairtech.com
 ISO 9001 Certified

Northern Air Technology

10421 Mammoth Ave
 Baton Rouge, LA 70814
 Phone: (225) 771-8154
 General Info: info@northernairtech.com
 ISO 9001 Certified

Explosion Proof HVAC
 Oil & Gas Offshore
 Onshore & Refineries
 Hazardous Locations
 Military
 Homeland Security

Chemical
 Mobile Command
 Mobile Medical
 Mobile Broadcast
 Aviation