

## ABOUT US

Since 1998, Northern-Air Systems has been a leading provider of specialized cooling systems.

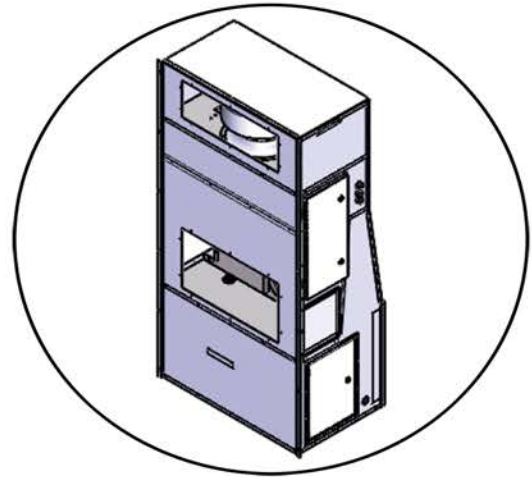
With thousands of systems in operation, we have the lowest downtime on the market. Northern Air Systems has been the trusted name for quality and dependability worldwide.



www.northernairsystems.com  
 Phone: (585) 594-5050  
 Service/Support/Parts: (888) 723-9230

## V060WMGGJ1SSF03

### PRODUCT DATA SHEET



### System Description

- 18kW resistive heat capacity
- General Purpose Condenser & Evaporator Sections
- Control Panel Integral to Unit
- Copeland Scroll Compressor that provides single stage of cooling
- High quality components: Axial condenser fan and centrifugal evaporator blower
- Lead/lag controls
- Programmable Logic Controller (PLC)
- Dry contacts are provided for – Unit Failure; High Temp & Alarm
- Low ambient controls
- 12-18ga galvanized sheet metal construction
- Standard gloss white polyester powder coating
- Remote display (mounted by others)
- Hinged access doors with tool-access latches
- Standard coil design – no coatings
- R-410A EPA-compliant refrigerant
- Humidity Sensor
- General Purpose Remote Panel – to be mounted in non-hazardous area



### Electrical Data

- 575 VAC, 3PH, 60Hz
- Heating RLA - 20A
- Cooling RLA - 11A
- Dehum RLA - 29A
- SCCR - 50kA
- MCA - 36A | MOP - 40A



### Design Specs

- Supply Airflow - 2,200 CFM
- External Static Pressure - 0.8 in WC
- Total Cooling Capacity:  
 80°Fdb/67°Fwb Return,  
 60,000 BTU/hr
- Weight - 775 lbs

### Northern Air Systems

3605 Buffalo Rd  
 Rochester, NY 14624  
 Phone: (585) 594-5050  
 General Info: info@northernairtech.com  
 ISO 9001 Certified

### Northern Air Technology

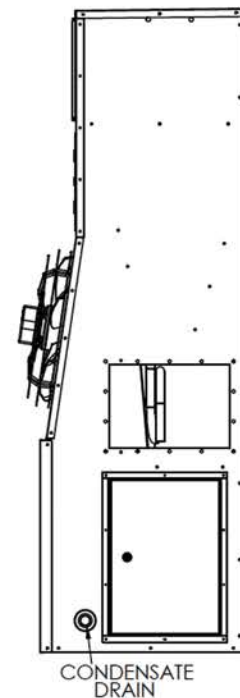
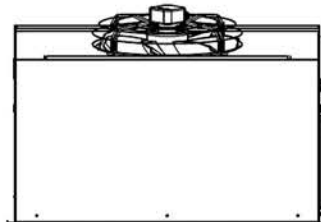
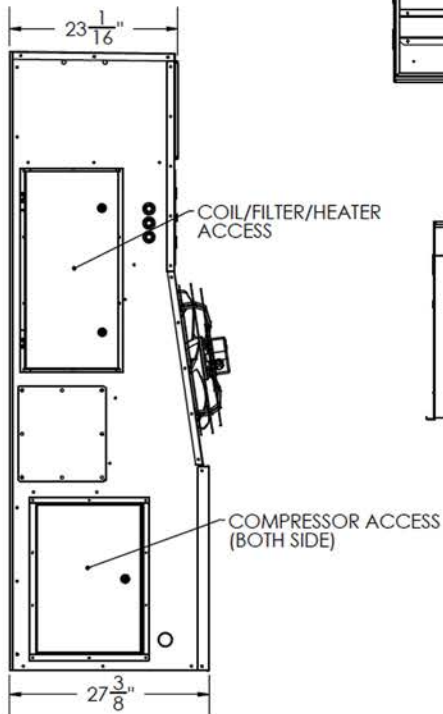
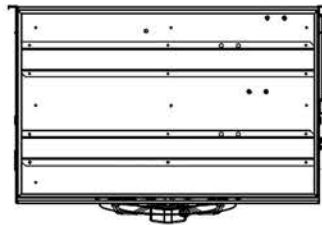
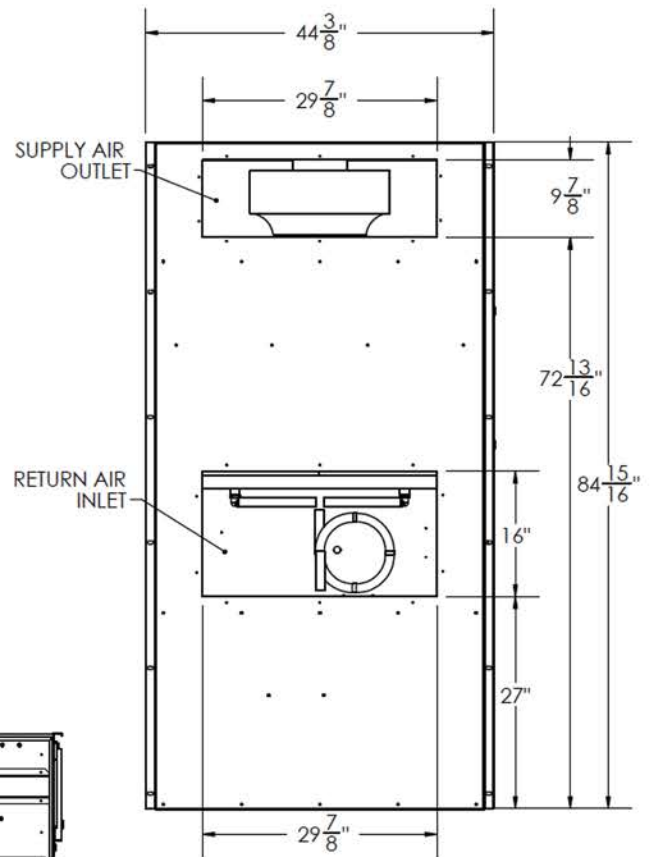
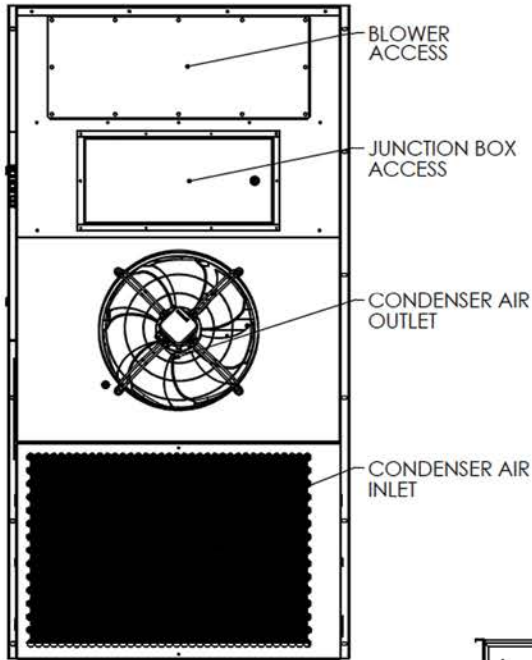
10421 Mammoth Ave  
 Baton Rouge, LA 70814  
 Phone: (225) 771-8154  
 General Info: info@northernairtech.com  
 ISO 9001 Certified

Explosion Proof HVAC  
 Oil & Gas Offshore  
 Onshore & Refineries  
 Hazardous Locations  
 Military  
 Homeland Security

Chemical  
 Mobile Command  
 Mobile Medical  
 Mobile Broadcast  
 Aviation

## V060WMGGJ1SSF03

PRODUCT DATA SHEET



### Northern Air Systems

3605 Buffalo Rd  
 Rochester, NY 14624  
 Phone: (585) 594-5050  
 General Info: [info@northernairtech.com](mailto:info@northernairtech.com)  
 ISO 9001 Certified

### Northern Air Technology

10421 Mammoth Ave  
 Baton Rouge, LA 70814  
 Phone: (225) 771-8154  
 General Info: [info@northernairtech.com](mailto:info@northernairtech.com)  
 ISO 9001 Certified

Explosion Proof HVAC  
 Oil & Gas Offshore  
 Onshore & Refineries  
 Hazardous Locations  
 Military  
 Homeland Security

Chemical  
 Mobile Command  
 Mobile Medical  
 Mobile Broadcast  
 Aviation