

ABOUT US

Since 1998, Northern-Air Systems has been a leading provider of specialized cooling systems.

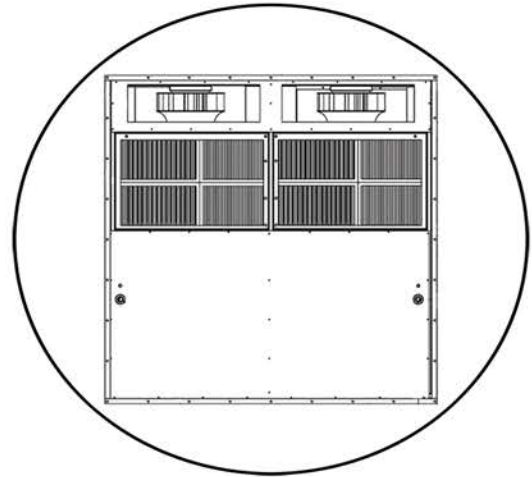
With thousands of systems in operation, we have the lowest downtime on the market. Northern Air Systems has been the trusted name for quality and dependability worldwide.



www.northernairsystems.com
 Phone: (585) 594-5050
 Service/Support/Parts: (888) 723-9230

TVBC288WMBIA2DDA00

PRODUCT DATA SHEET



System Description

- 144,000 BTU/hour total cooling capacity per zone
- 288,000 BTU/hour total cooling capacity per unit
- Copeland digital tandem scroll compressor set
 - Provides modulating cooling capacity (total of four compressors)
- 2-stage 18 kW resistive heat package per zone
- Programmable Logic Controller (PLC)
- 208 VAC, Three-phase, 60-Hz power
- Low ambient operation to -30°F
- High quality German-designed EC axial condenser fans
- High quality German-designed EC motorized impeller evaporator blowers
- 1/4" structural aluminum frame with 0.04-0.80" aluminum sheet metal construction
- Hinged access doors with tool-access latches
- Two (2) remote displays (Part # 20EPGD1)
- Standard gloss white polyester powder coat finish
- R-407C EPA-compliant refrigerant
- One (1) year parts only warranty

Electrical Data

- 208 VAC, 3PH, 60Hz
- Cooling FLA - 54A
- Heating FLA - 59A
- Dehum FLA - 104A
- MCA - 121A | MOP - 125A

Design Specs

- Supply Airflow - 4,800 CFM
- External Static Pressure - 0.8 in WC
- Total Cooling Capacity:
 80°Fdb/67°Fwb Return,
 144,000 BTU/hr

Northern Air Systems

3605 Buffalo Rd
 Rochester, NY 14624
 Phone: (585) 594-5050
 General Info: info@northernairtech.com
 ISO 9001 Certified

Northern Air Technology

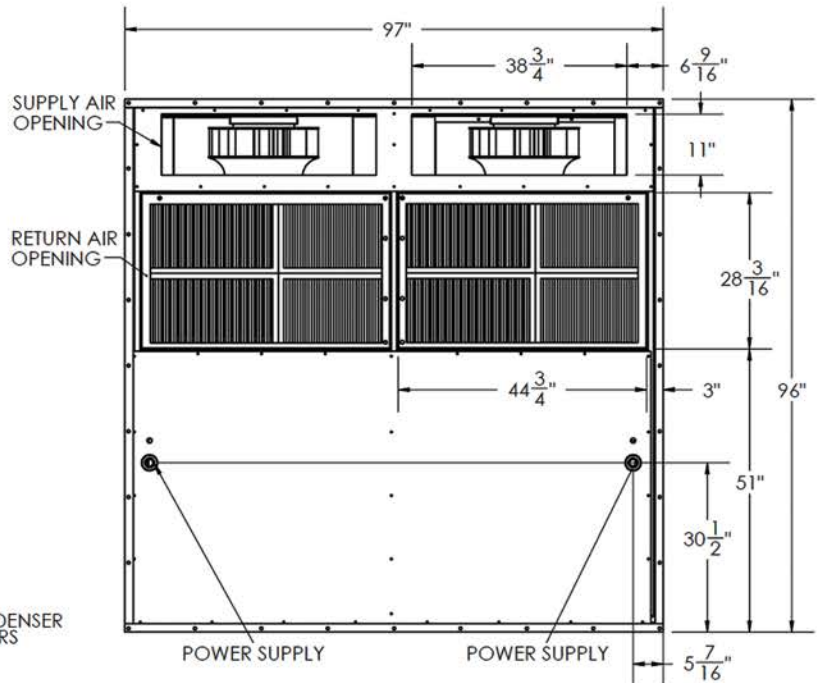
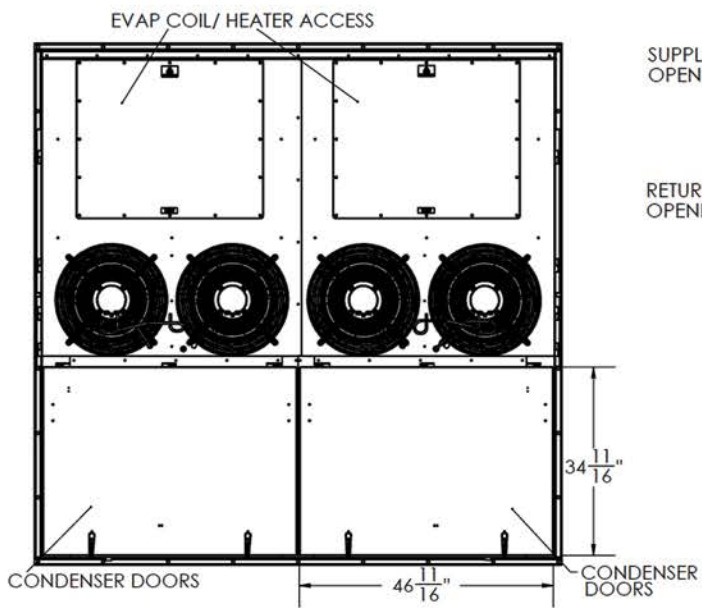
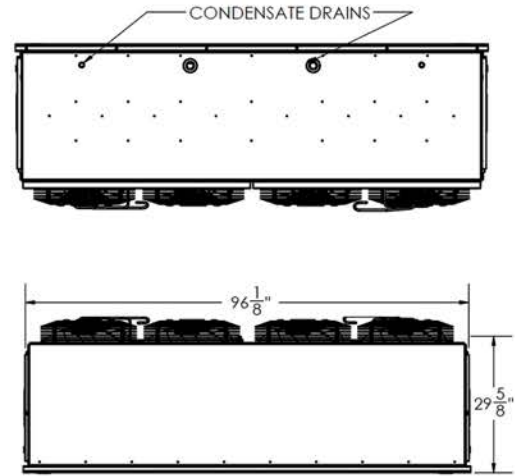
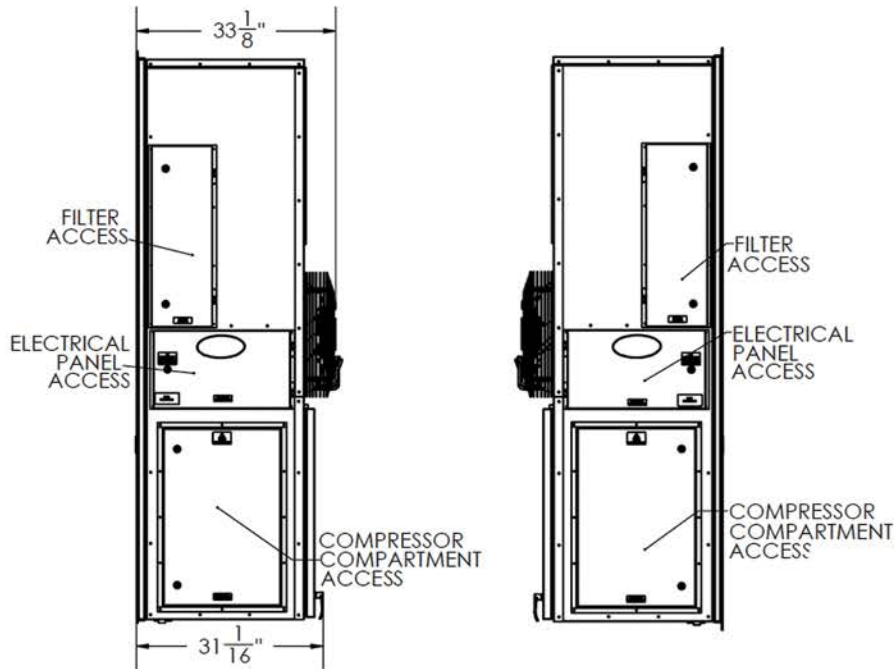
10421 Mammoth Ave
 Baton Rouge, LA 70814
 Phone: (225) 771-8154
 General Info: info@northernairtech.com
 ISO 9001 Certified

Explosion Proof HVAC
 Oil & Gas Offshore
 Onshore & Refineries
 Hazardous Locations
 Military
 Homeland Security

Chemical
 Mobile Command
 Mobile Medical
 Mobile Broadcast
 Aviation

TVBC288WMBIA2DDA00

PRODUCT DATA SHEET



Northern Air Systems

3605 Buffalo Rd
 Rochester, NY 14624
 Phone: (585) 594-5050
 General Info: info@northernairtech.com
 ISO 9001 Certified

Northern Air Technology

10421 Mammoth Ave
 Baton Rouge, LA 70814
 Phone: (225) 771-8154
 General Info: info@northernairtech.com
 ISO 9001 Certified

Explosion Proof HVAC
 Oil & Gas Offshore
 Onshore & Refineries
 Hazardous Locations
 Military
 Homeland Security

Chemical
 Mobile Command
 Mobile Medical
 Mobile Broadcast
 Aviation