

ABOUT US

Since 1998, Northern-Air Systems has been a leading provider of specialized cooling systems.

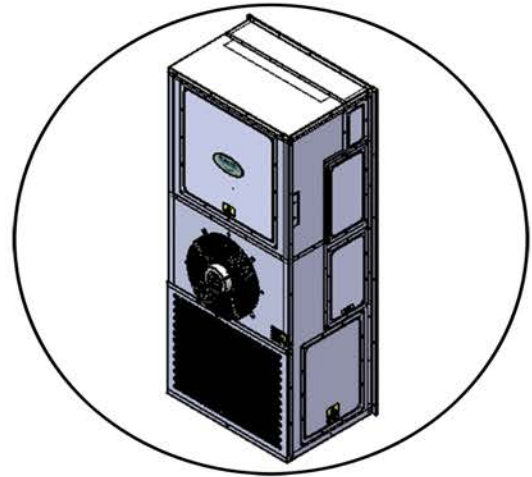
With thousands of systems in operation, we have the lowest downtime on the market. Northern Air Systems has been the trusted name for quality and dependability worldwide.



www.northernairsystems.com
Phone: (585) 594-5050
Service/Support/Parts: (888) 723-9230

T036WMBDJ1SSF02

PRODUCT DATA SHEET



System Description

- Programmable Logic Controller
- Single stage scroll compressor
- Hot gas bypass
- Low ambient operation to -20°F
- 9 kW resistive heat capacity
- Polyester powder coated exterior
- High-quality German-designed axial condenser fan (EC fan)
- High quality German designed centrifugal evaporator blower (EC fan)
- Bolt on access panels
- R-410A EPA-compliant refrigerant



Electrical Data

- 208 VAC, 3PH, 60Hz
- Cooling RLA - 20A
- Heating RLA - 28A
- MCA - 25A
- MOP - 40A
- SCCR - 50kA



Design Specs

- Supply Airflow - 1,000 CFM
- External Static Pressure - 1 in WC
- Total Cooling Capacity:
80°Fdb/67°Fwb Return,
95°F AMB - 36,000 BTU/hr
- Weight - 550lbs

Northern Air Systems

3605 Buffalo Rd
Rochester, NY 14624
Phone: (585) 594-5050
General Info: info@northernairtech.com
ISO 9001 Certified

Northern Air Technology

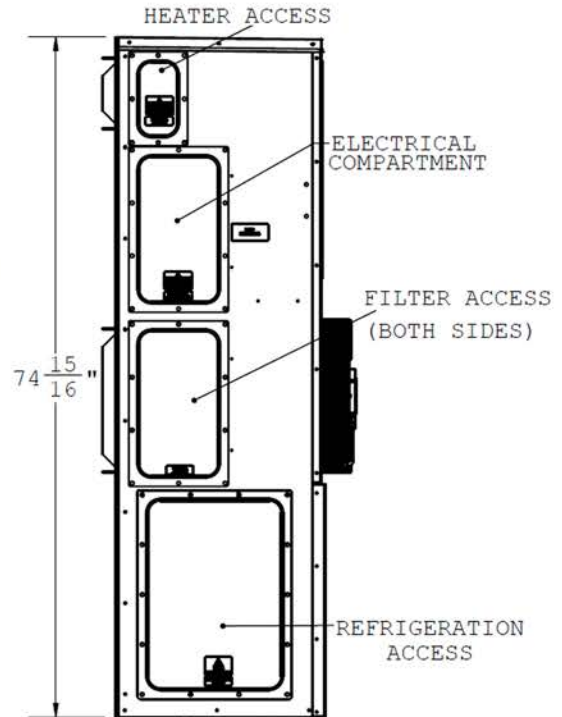
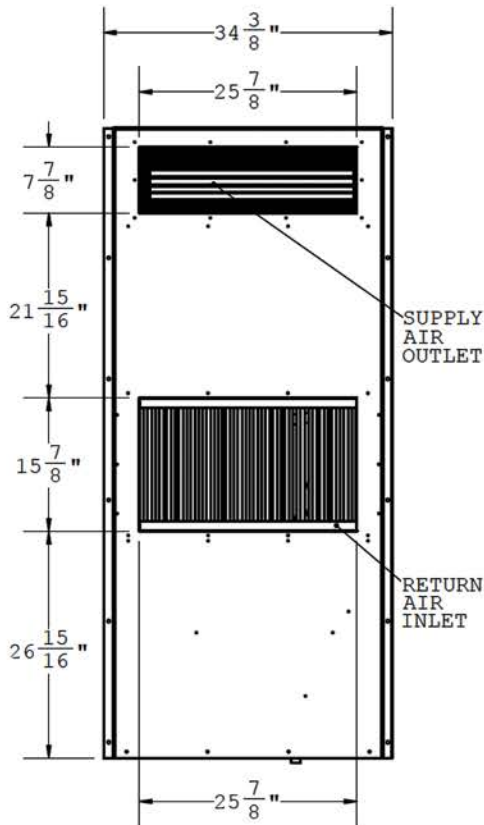
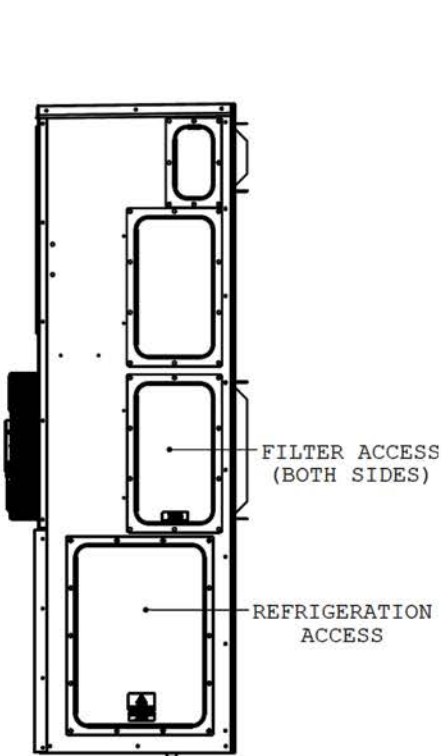
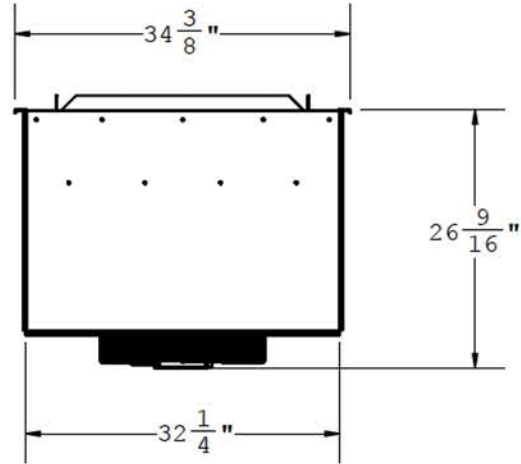
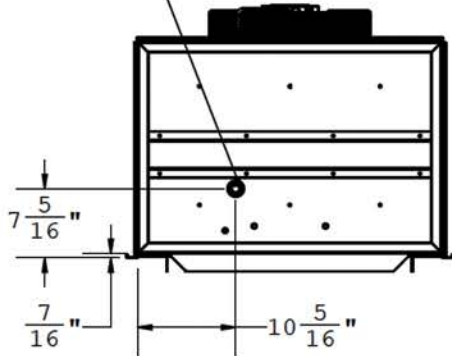
10421 Mammoth Ave
Baton Rouge, LA 70814
Phone: (225) 771-8154
General Info: info@northernairtech.com
ISO 9001 Certified

Explosion Proof HVAC
Oil & Gas Offshore
Onshore & Refineries
Hazardous Locations
Military
Homeland Security

Chemical
Mobile Command
Mobile Medical
Mobile Broadcast
Aviation

T036WMBDJ1SSF02
PRODUCT DATA SHEET

CONDENSATE DRAIN
OUTLET



Northern Air Systems

3605 Buffalo Rd
Rochester, NY 14624
Phone: (585) 594-5050
General Info: info@northernairtech.com
ISO 9001 Certified

Northern Air Technology

10421 Mammoth Ave
Baton Rouge, LA 70814
Phone: (225) 771-8154
General Info: info@northernairtech.com
ISO 9001 Certified

Explosion Proof HVAC
Oil & Gas Offshore
Onshore & Refineries
Hazardous Locations
Military
Homeland Security

Chemical
Mobile Command
Mobile Medical
Mobile Broadcast
Aviation