

ABOUT US

Since 1998, Northern-Air Systems has been a leading provider of specialized cooling systems.

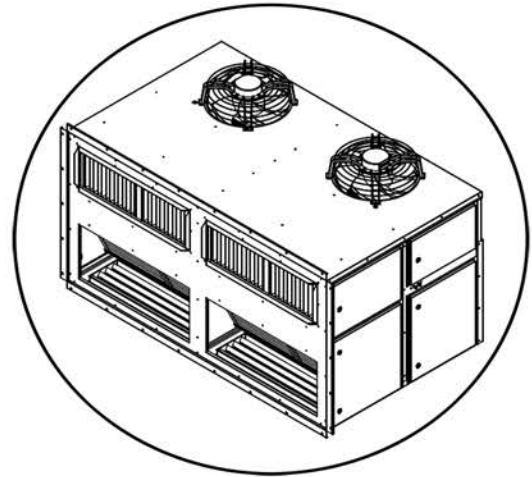
With thousands of systems in operation, we have the lowest downtime on the market. Northern Air Systems has been the trusted name for quality and dependability worldwide.



www.northernairsystems.com
 Phone: (585) 594-5050
 Service/Support/Parts: (888) 723-9230

D120FMAGA2DDC00

PRODUCT DATA SHEET



System Description

- 120,000 BTU / hour total cooling capacity at 95°F
- 60,000 BTU / hour per zone
- Copeland digital scroll compressor that provides modulating cooling capacity
- Ambient operation from -30°F to 120°F
- 18 kW resistive heat capacity (9 kW per zone)
- Programmable Logic Controller (PLC)
- High quality German-designed EC condenser fan & EC evaporator blower
- Two remote programmable displays (P/N 20EPGD1)
- Tubular frame construction with 12-18ga sheet metal exterior
- Standard white polyester powder coat finish
- Hinged access doors with tool-access latches
- Fresh Air Intakes
- MERV 7 & MERV 14 Filtration
- R-407C EPA-compliant refrigerant



Electrical Data

- 480 VAC, 3PH, 60Hz
- Cooling FLA - 17A
- Heating FLA - 20A
- Dehum FLA - 32A
- MCA - 35A | MOP - 40A
- SCCR - 50kA



Design Specs

- Supply Airflow - 2,000 CFM
- External Static Pressure - 0.8 in WC
- Total Cooling Capacity:
 80°Fdb/67°Fwb Return,
 95°F AMB - 60,000 BTU/hr
- Weight - 1,700 lbs

Northern Air Systems

3605 Buffalo Rd
 Rochester, NY 14624
 Phone: (585) 594-5050
 General Info: info@northernairtech.com
 ISO 9001 Certified

Northern Air Technology

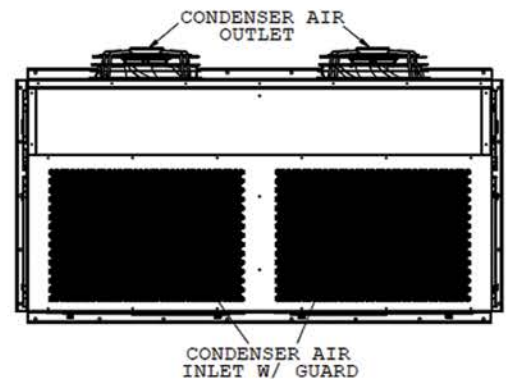
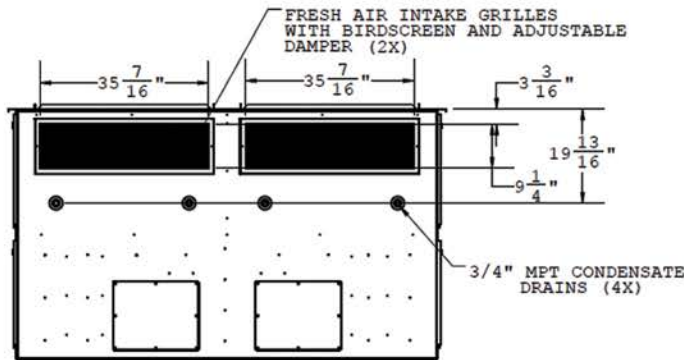
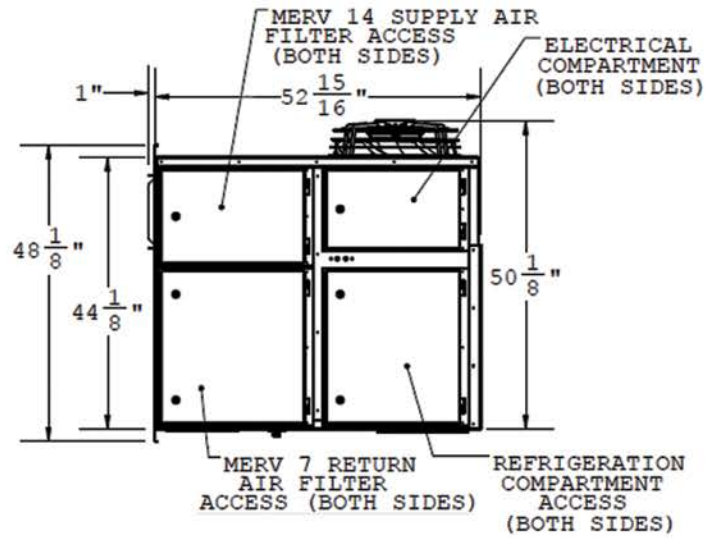
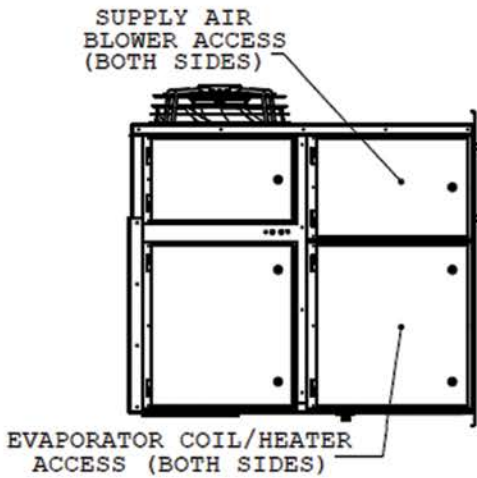
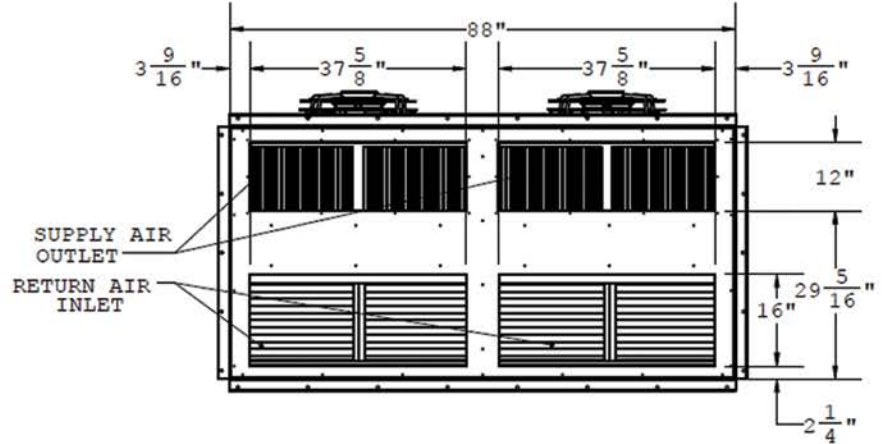
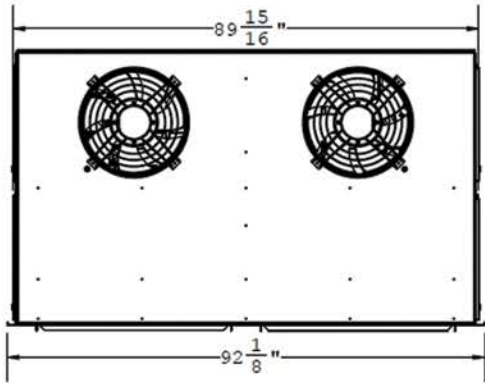
10421 Mammoth Ave
 Baton Rouge, LA 70814
 Phone: (225) 771-8154
 General Info: info@northernairtech.com
 ISO 9001 Certified

Explosion Proof HVAC
 Oil & Gas Offshore
 Onshore & Refineries
 Hazardous Locations
 Military
 Homeland Security

Chemical
 Mobile Command
 Mobile Medical
 Mobile Broadcast
 Aviation

D120FMAGA2DDC00

PRODUCT DATA SHEET



Northern Air Systems

3605 Buffalo Rd
 Rochester, NY 14624
 Phone: (585) 594-5050
 General Info: info@northernairtech.com
 ISO 9001 Certified

Northern Air Technology

10421 Mammoth Ave
 Baton Rouge, LA 70814
 Phone: (225) 771-8154
 General Info: info@northernairtech.com
 ISO 9001 Certified

Explosion Proof HVAC
 Oil & Gas Offshore
 Onshore & Refineries
 Hazardous Locations
 Military
 Homeland Security

Chemical
 Mobile Command
 Mobile Medical
 Mobile Broadcast
 Aviation