

ABOUT US

Since 1998, Northern-Air Systems has been a leading provider of specialized cooling systems.

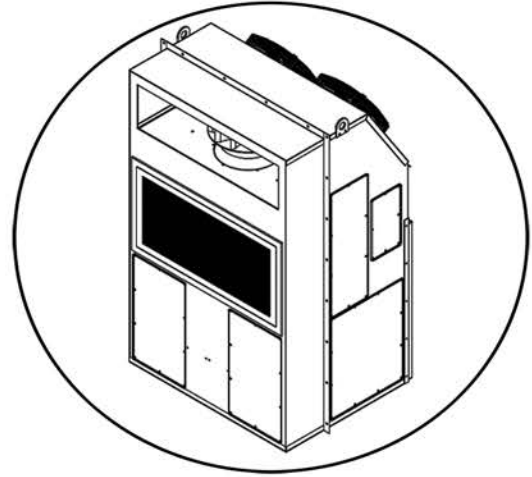
With thousands of systems in operation, we have the lowest downtime on the market. Northern Air Systems has been the trusted name for quality and dependability worldwide.



www.northernairsystems.com
 Phone: (585) 594-5050
 Service/Support/Parts: (888) 723-9230

C120WMBGA1DSB00

PRODUCT DATA SHEET



System Description

- Condensing Section built for General Purpose
- General Purpose Evaporator Section
- Integrally mounted electrical panel
- Dual scroll compressors & Dual circuits
- High quality direct drive axial condenser fan & centrifugal evap blower
- Evaporator blower to be high static design
- Humidity Sensor
- 18kW resistive heat
- Programmable Logic Controller (PLC) & Remote display (mounted by others)
- Dry contacts are provided for – Unit Failure; High Temp & Alarm
- Low ambient operation to -30°F
- Galvanized steel cabinet with white powder coat finish
- 100% return air – no outside air.
- Standard filters in return air
- Hinged access doors with tool-access latches
- Copper tube/aluminum fin coils without and special coatings
- R-407c compliant refrigerant
- Protective door for condensing coil



Electrical Data

- 208 VAC, 3PH, 60Hz
- Heat Load - 59A
- Cooling Load - 48A
- Dehum Load - 99A
- SCCR - 50kA
- MCA - 115A | MOP - 125A



Design Specs

- Supply Airflow - 4,000 CFM
- External Static Pressure - 2.0 in WC
- Total Cooling Capacity:
 80°Fdb/67°Fwb Return,
 120,000 BTU/hr
- Weight - 1,700 lbs

Northern Air Systems

3605 Buffalo Rd
 Rochester, NY 14624
 Phone: (585) 594-5050
 General Info: info@northernairtech.com
 ISO 9001 Certified

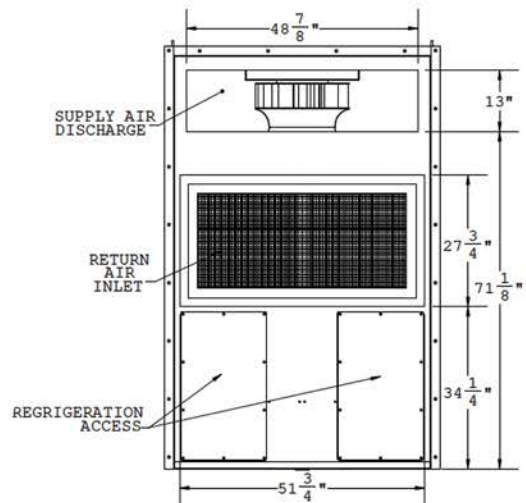
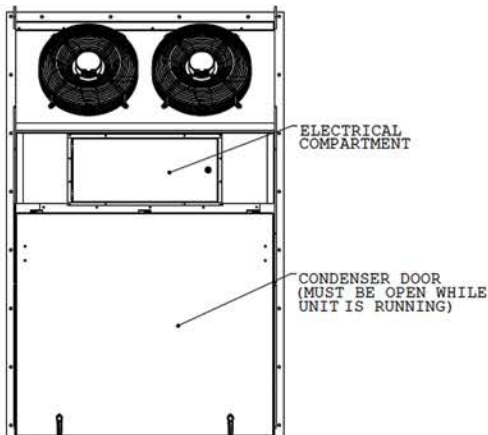
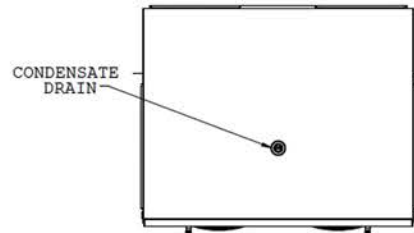
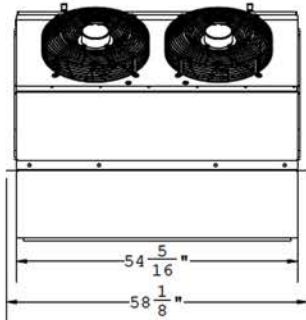
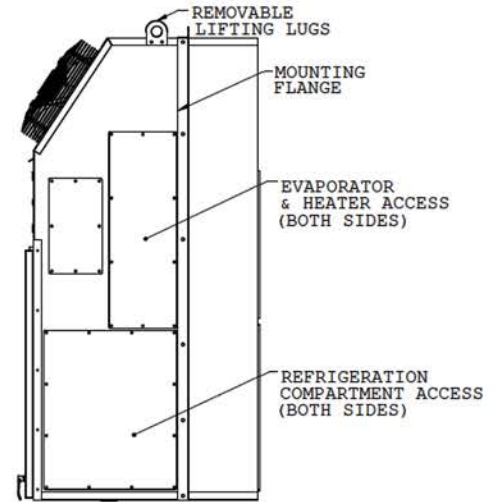
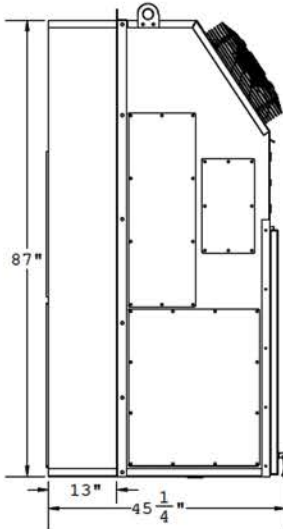
Northern Air Technology

10421 Mammoth Ave
 Baton Rouge, LA 70814
 Phone: (225) 771-8154
 General Info: info@northernairtech.com
 ISO 9001 Certified

Explosion Proof HVAC
 Oil & Gas Offshore
 Onshore & Refineries
 Hazardous Locations
 Military
 Homeland Security

Chemical
 Mobile Command
 Mobile Medical
 Mobile Broadcast
 Aviation

C120WMBGA1DSB00
PRODUCT DATA SHEET



Northern Air Systems

3605 Buffalo Rd
Rochester, NY 14624
Phone: (585) 594-5050
General Info: info@northernairtech.com
ISO 9001 Certified

Northern Air Technology

10421 Mammoth Ave
Baton Rouge, LA 70814
Phone: (225) 771-8154
General Info: info@northernairtech.com
ISO 9001 Certified

Explosion Proof HVAC
Oil & Gas Offshore
Onshore & Refineries
Hazardous Locations
Military
Homeland Security

Chemical
Mobile Command
Mobile Medical
Mobile Broadcast
Aviation